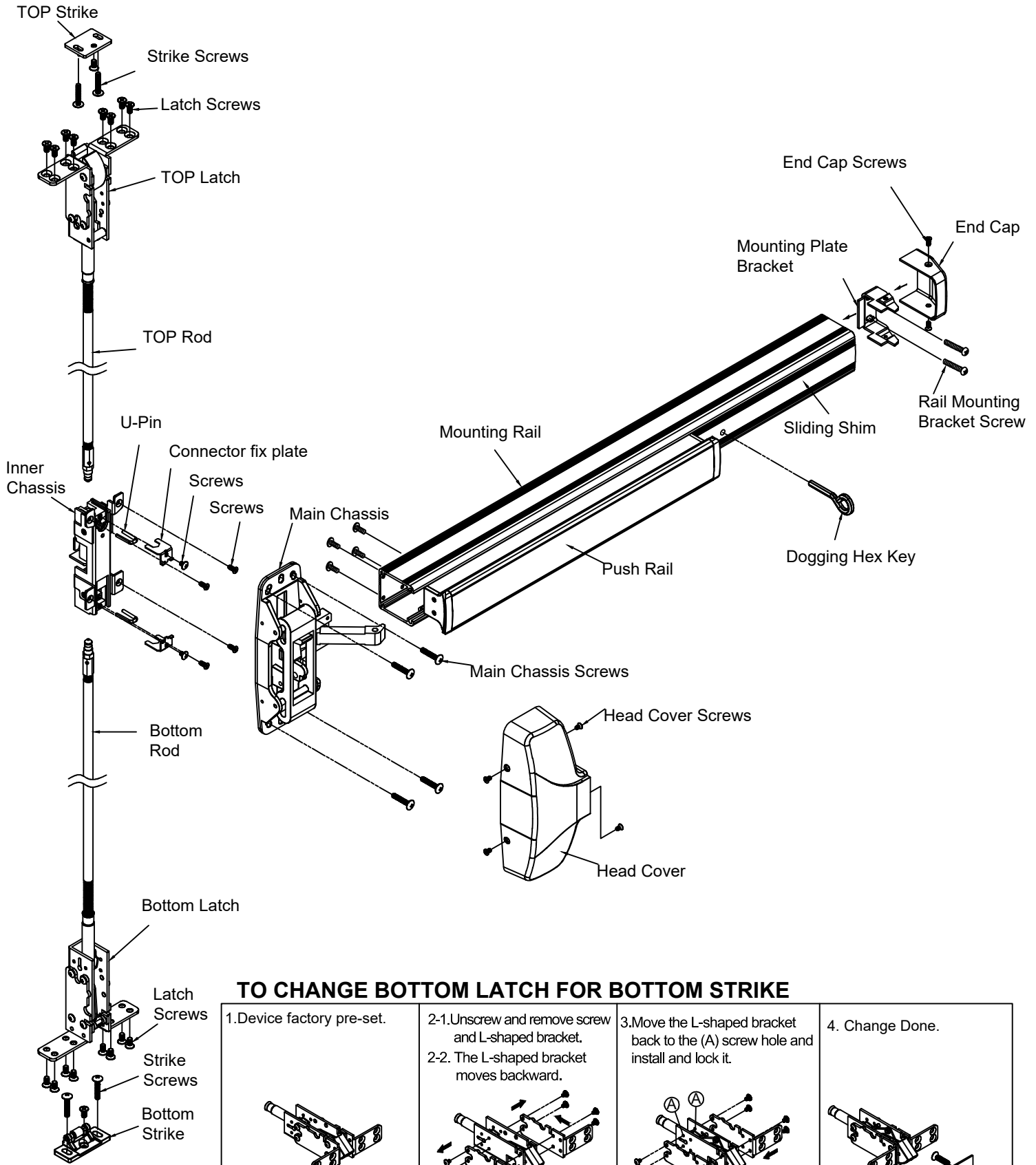
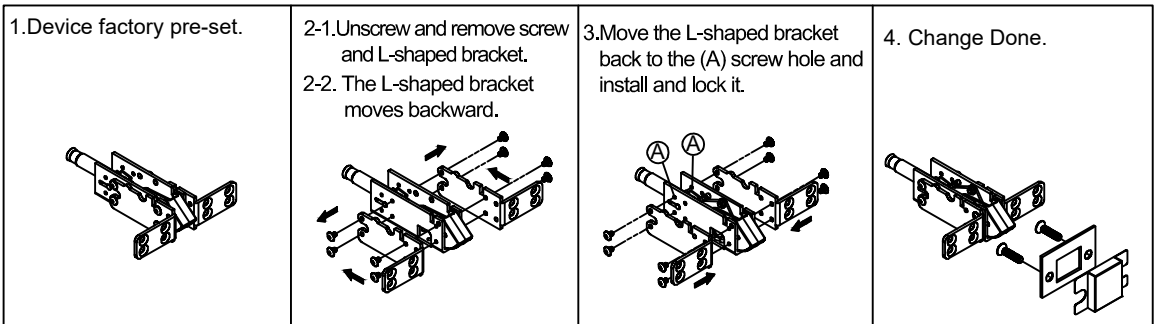


# INSTALLATION INSTRUCTION

## N-77CVR CONCEALED VERTICAL ROD EXIT DEVICE

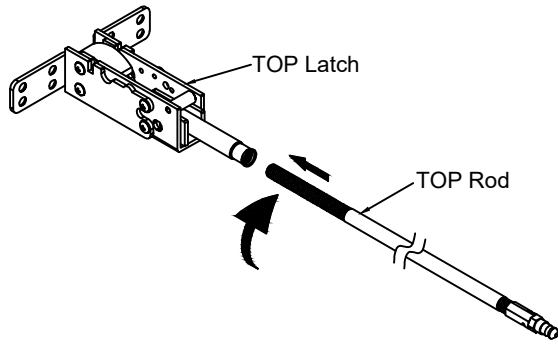


### TO CHANGE BOTTOM LATCH FOR BOTTOM STRIKE

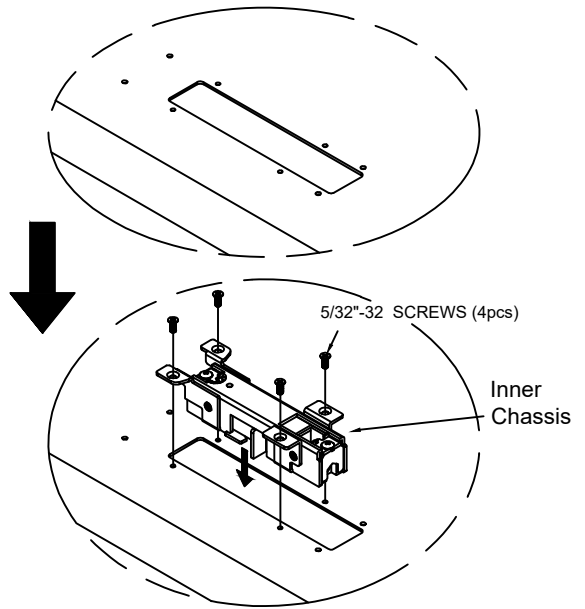


# 1.INSTALL INNER CHASSIS & TOP LATCH

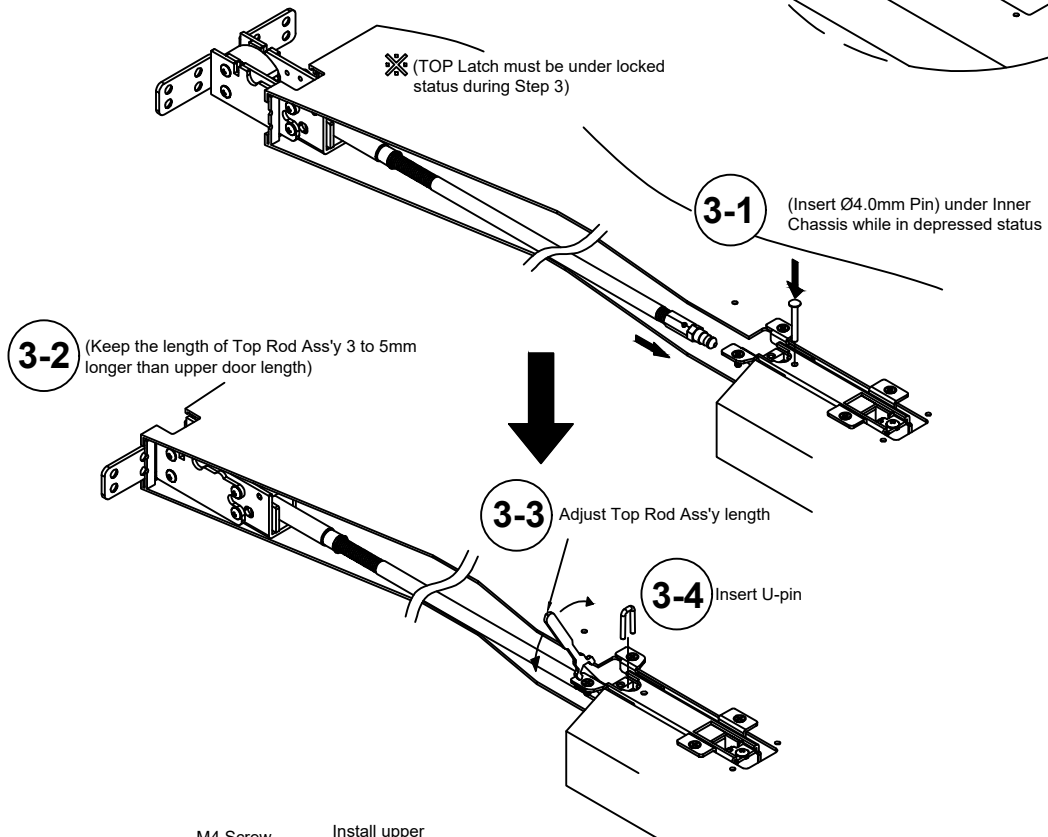
1



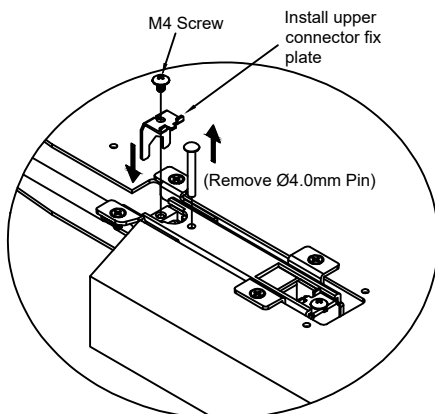
2



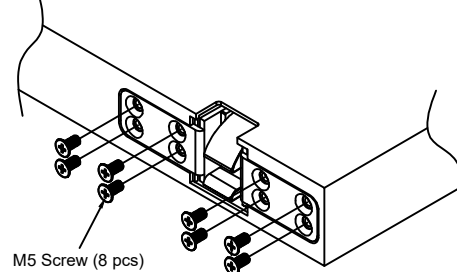
3



4

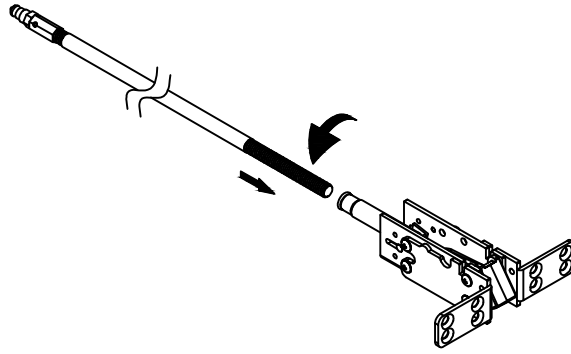


5 Install latch screws

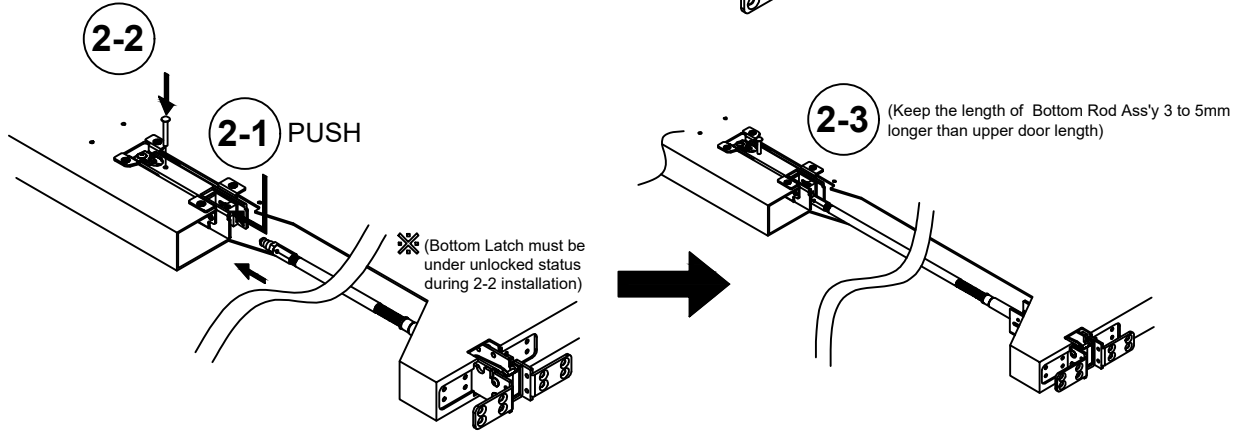


## 2.INSTALL BOTTOM LATCH (Skip this step if less Bottom Rod)

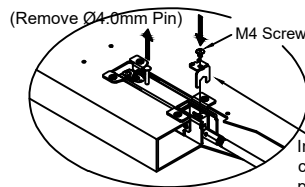
### 1 Attached Rod to Bottom latch



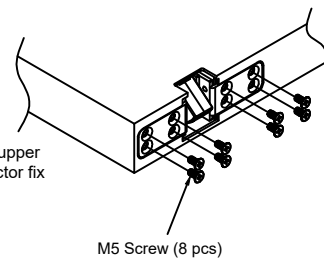
2



3

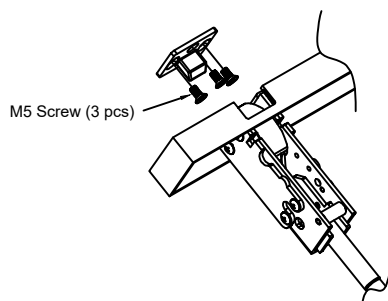


4 Install latch screws

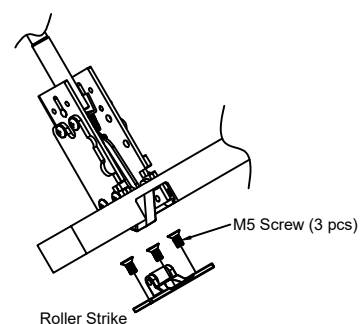


## 3.INSTALL TOP & BOTTOM STRIKE (Please Follow TEMPLATE)

### 1 TOP Strike

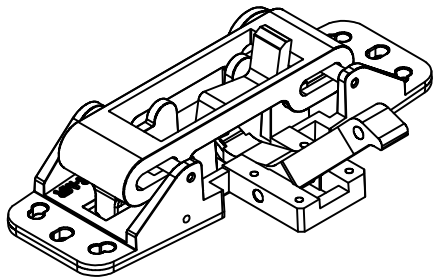


### 2 Bottom Strike

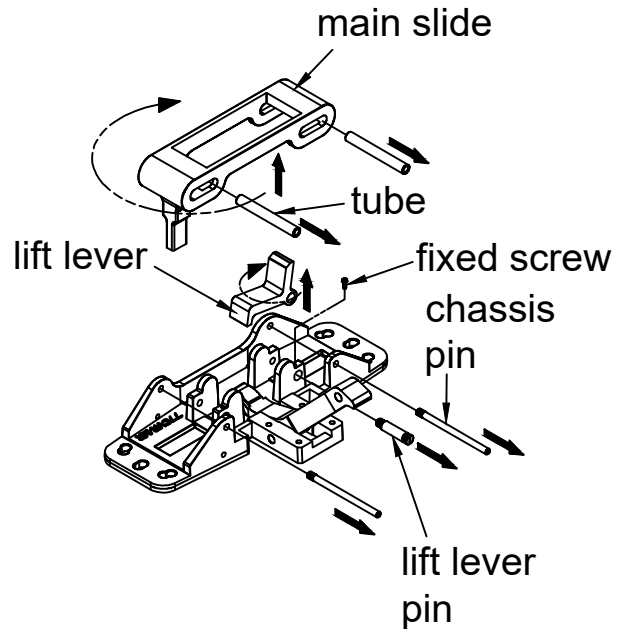


# TO CHANGE HAND OF N-77CVR EXIT DEVICE

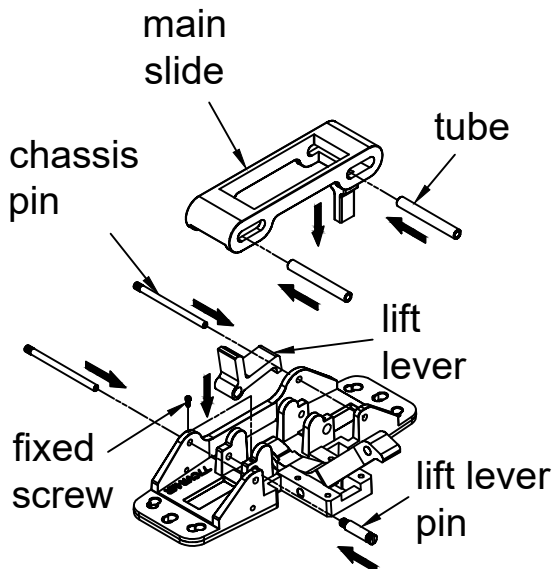
1. LHR



- 2-1. Remove chassis pin & main slide & tube.
- 2-2. Remove lift lever & lift lever pin.
- 2-3. Rotate 180° main slide & lift lever



- 3-1. Reassemble lift lever at opposite side, as shown.
- 3-2. Replace main slide and chassis pin and lift lever pin and fixed screw.



1. RHR Done.

