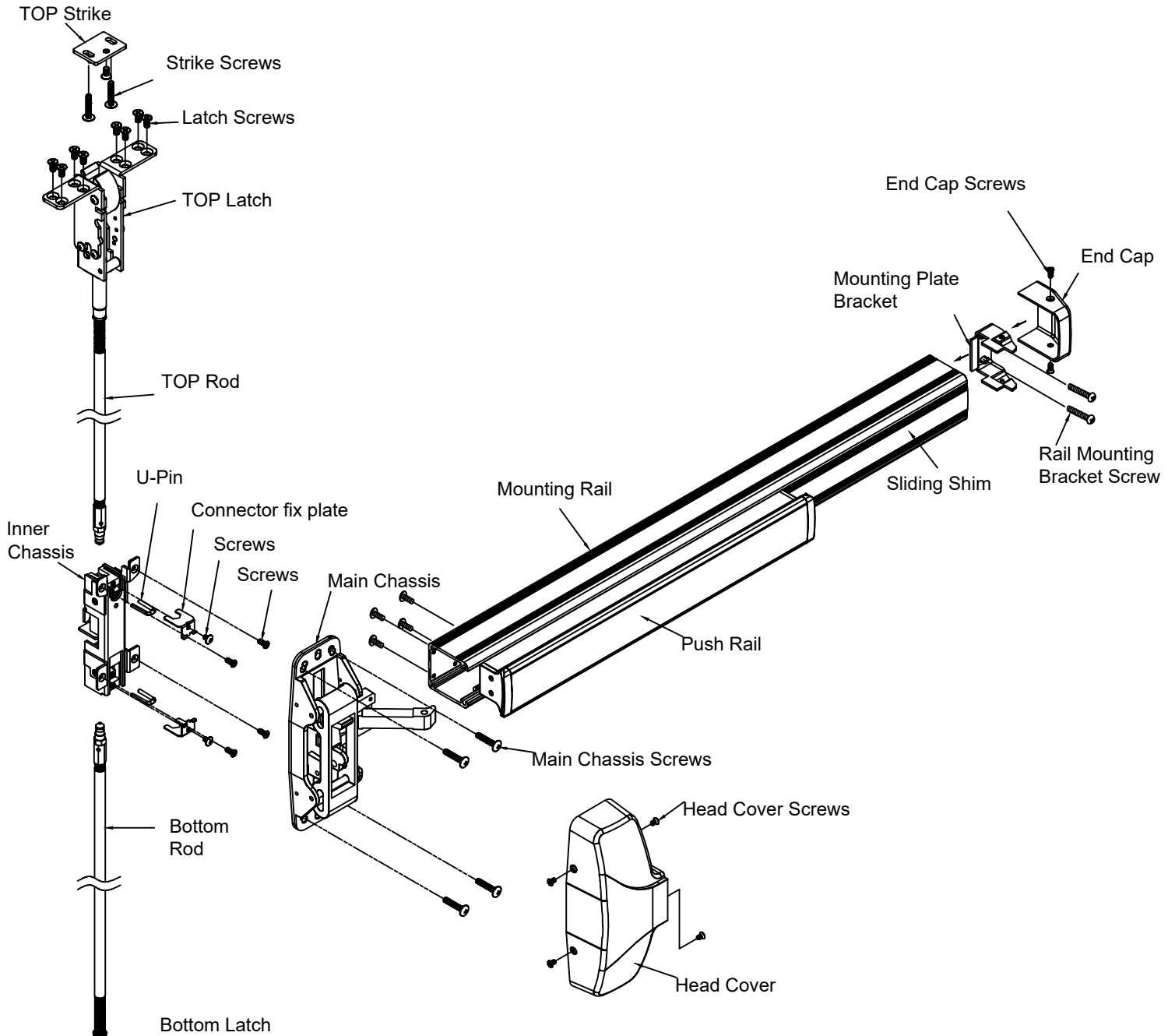
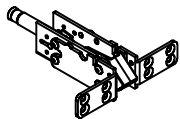
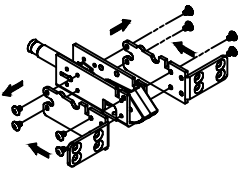
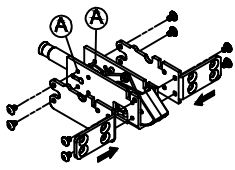
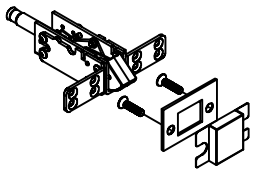


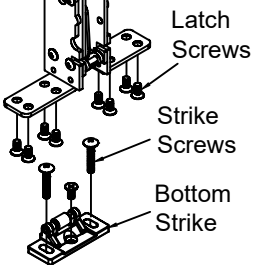
INSTALLATION INSTRUCTION

N-F77CVR CONCEALED VERTICAL ROD EXIT DEVICE



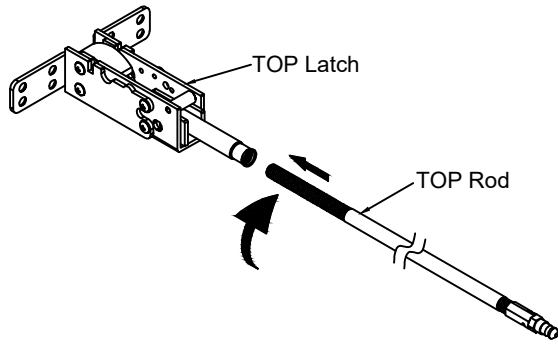
TO CHANGE BOTTOM LATCH FOR BOTTOM STRIKE

<p>1. Device factory pre-set.</p> 	<p>2-1. Unscrew and remove screw and L-shaped bracket. 2-2. The L-shaped bracket moves backward.</p> 	<p>3. Move the L-shaped bracket back to the (A) screw hole and install and lock it.</p> 	<p>4. Change Done.</p> 
---	--	--	--

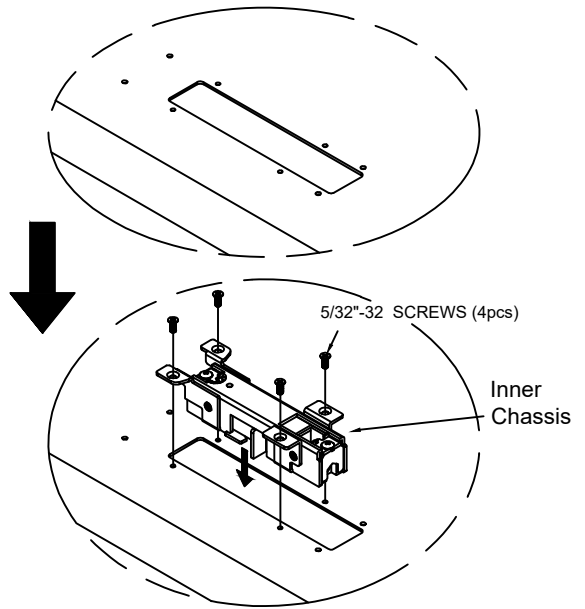


1.INSTALL INNER CHASSIS & TOP LATCH

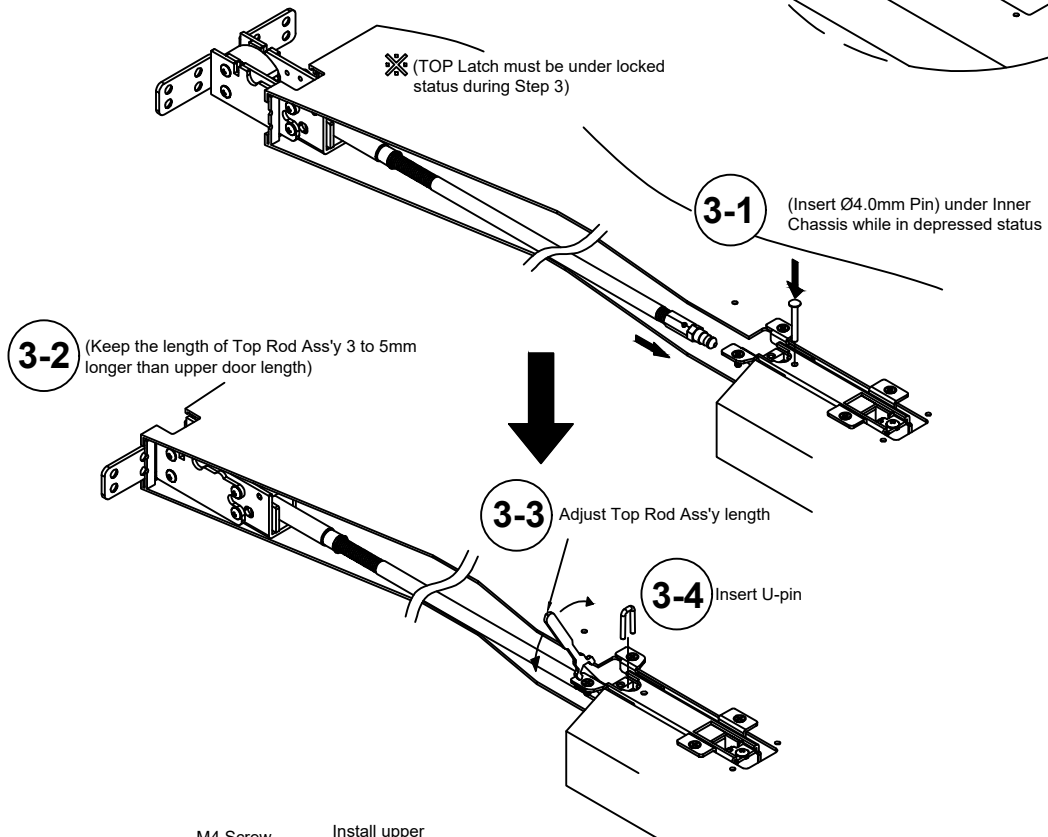
1



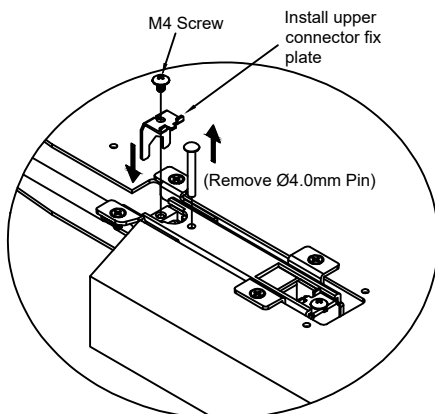
2



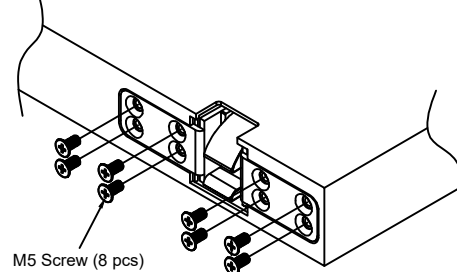
3



4

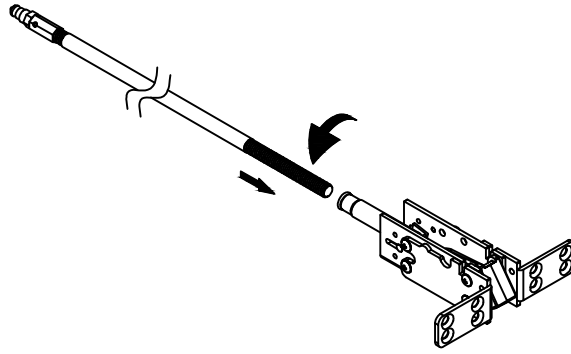


5 Install latch screws

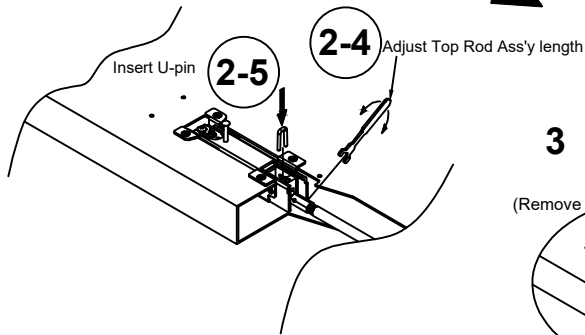
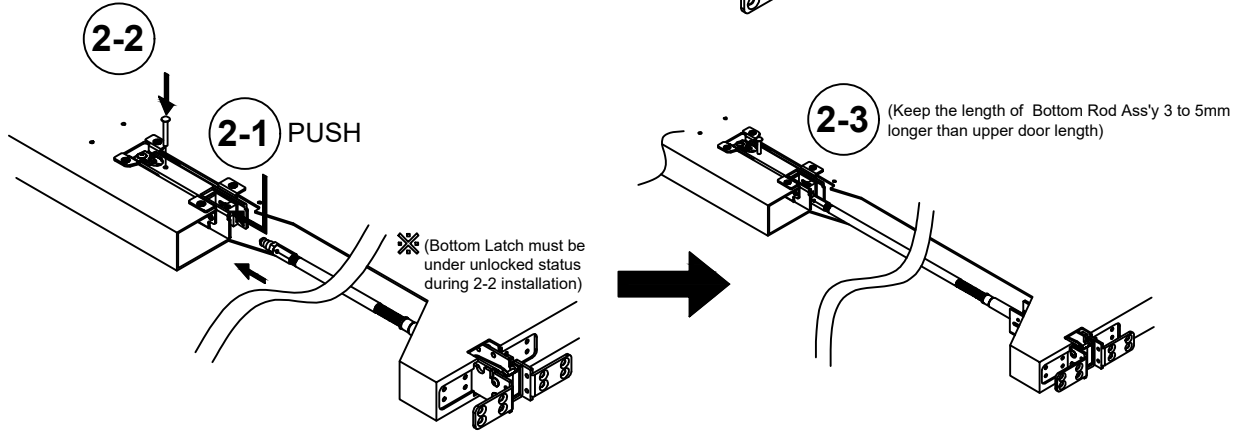


2.INSTALL BOTTOM LATCH (Skip this step if less Bottom Rod)

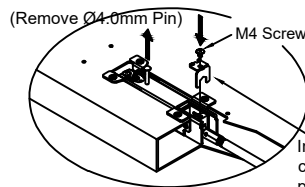
1 Attached Rod to Bottom latch



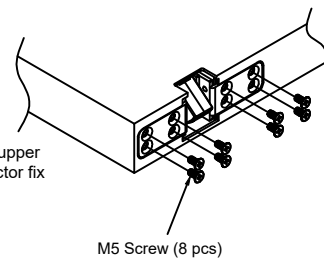
2



3

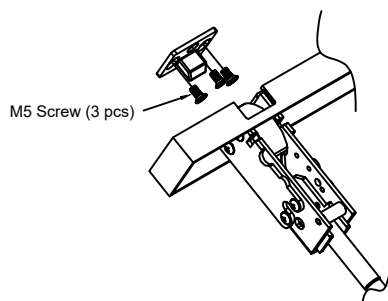


4 Install latch screws

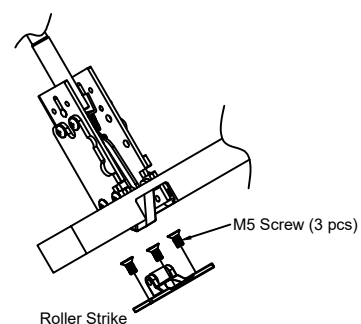


3.INSTALL TOP & BOTTOM STRIKE (Please Follow TEMPLATE)

1 TOP Strike

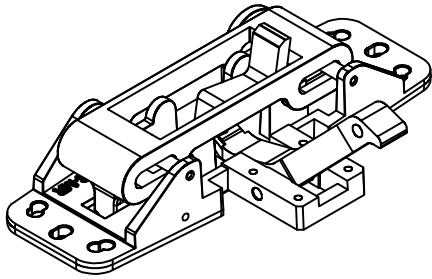


2 Bottom Strike

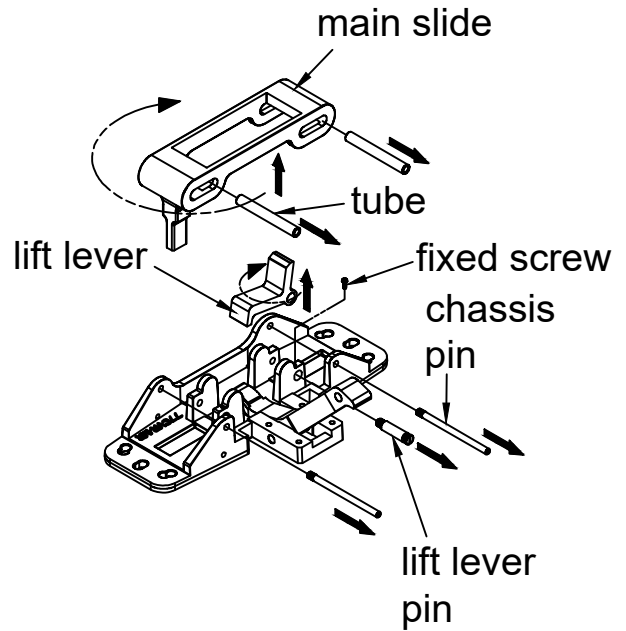


TO CHANGE HAND OF N-F77CVR EXIT DEVICE

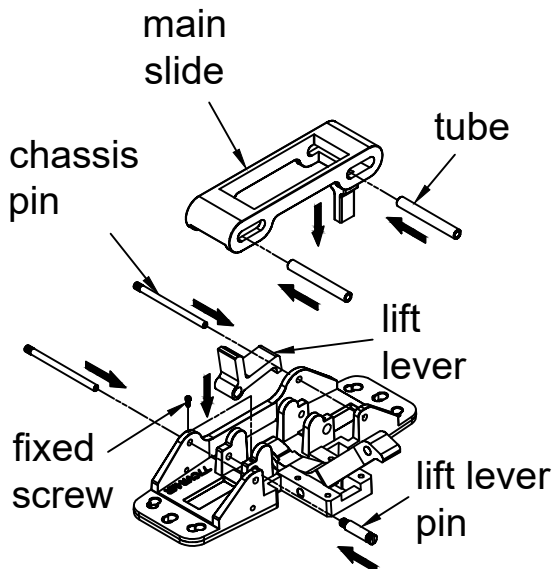
1. LHR



- 2-1. Remove chassis pin & main slide & tube.
- 2-2. Remove lift lever & lift lever pin.
- 2-3. Rotate 180° main slide & lift lever



- 3-1. Reassemble lift lever at opposite side, as shown.
- 3-2. Replace main slide and chassis pin and lift lever pin and fixed screw.



1. RHR Done.

