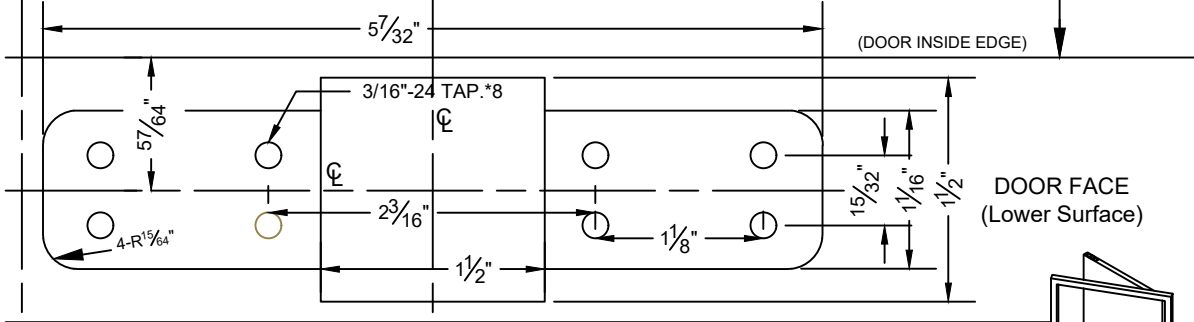
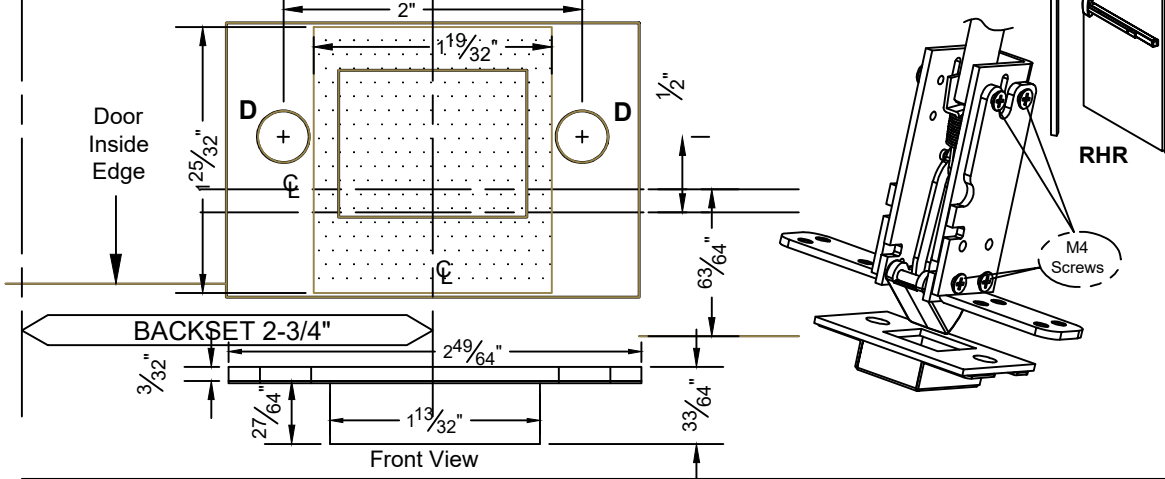


**N-77CVR / N-F77CVR SERIES LHR**

**TEMPLATE of Bottom Latch Housing Ass'y [ Bottom Mounting Plate (regular use) ]**

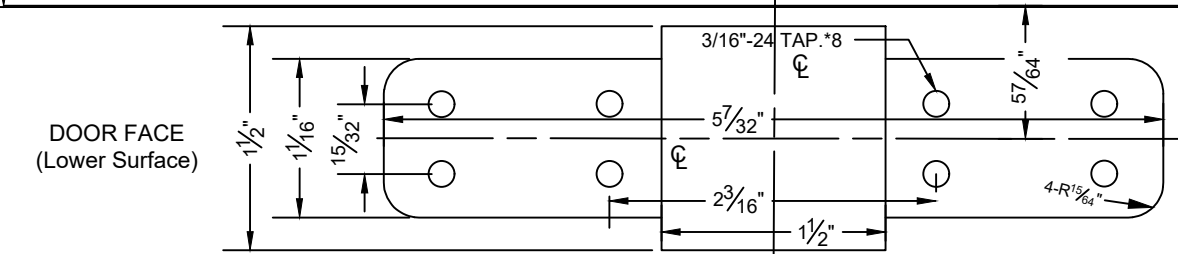


**TEMPLATE of Bottom Latch [ Bottom Strike (regular use) ] (1:1)**

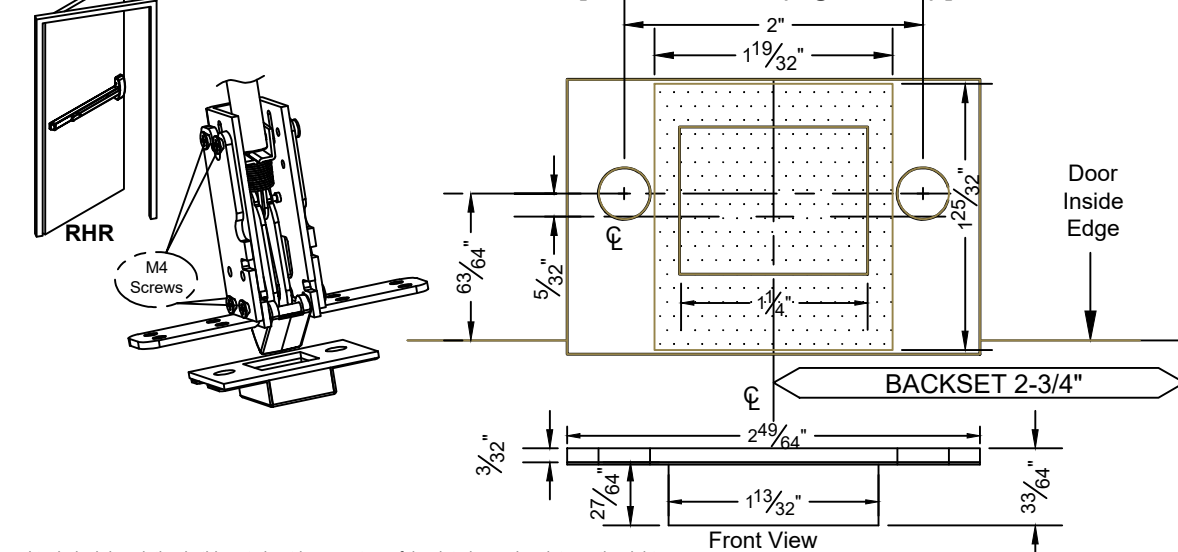


**N-77CVR / N-F77CVR SERIES RHR**

**TEMPLATE of Bottom Latch Housing Ass'y [ Bottom Mounting Plate (regular use) ]**



**TEMPLATE of Bottom Latch [ Bottom Strike (regular use) ]**



The illustration and technical description in this cut sheet is current as of the date in version date on the right.

Cal-Royal Product reserves the right to, and may, on occasions, make changes and/or improvements in designs and dimensions without prior notice.



6605 Flotilla Street  
City of Commerce  
CA 90040 USA  
Tel.# (323) 888-6601  
FAX # (323) 888-6699  
WEB SITE:  
CAL-ROYAL.COM  
Email: sales@cal-royal.com

ITEM NO.	DESCRIPTION
N-77/F77CVR BOTTOM MORTISE LATCH	TEMPLATE FOR N-77/F77CVR BOTTOM MORTISE LATCH

NOT  
TO  
SCALE  
PAGE 1 of 2

UNIT  
PRIMARY DIMENSION  
SHOWN IN INCHES,  
DIMENSIONS IN ( )  
ARE MM

Prepared By: BBT/ADG/CVL

DATE: 02/23/2024

DWG. NO.: EDT-4020A-02/24-1of2  
Ver. 1.01