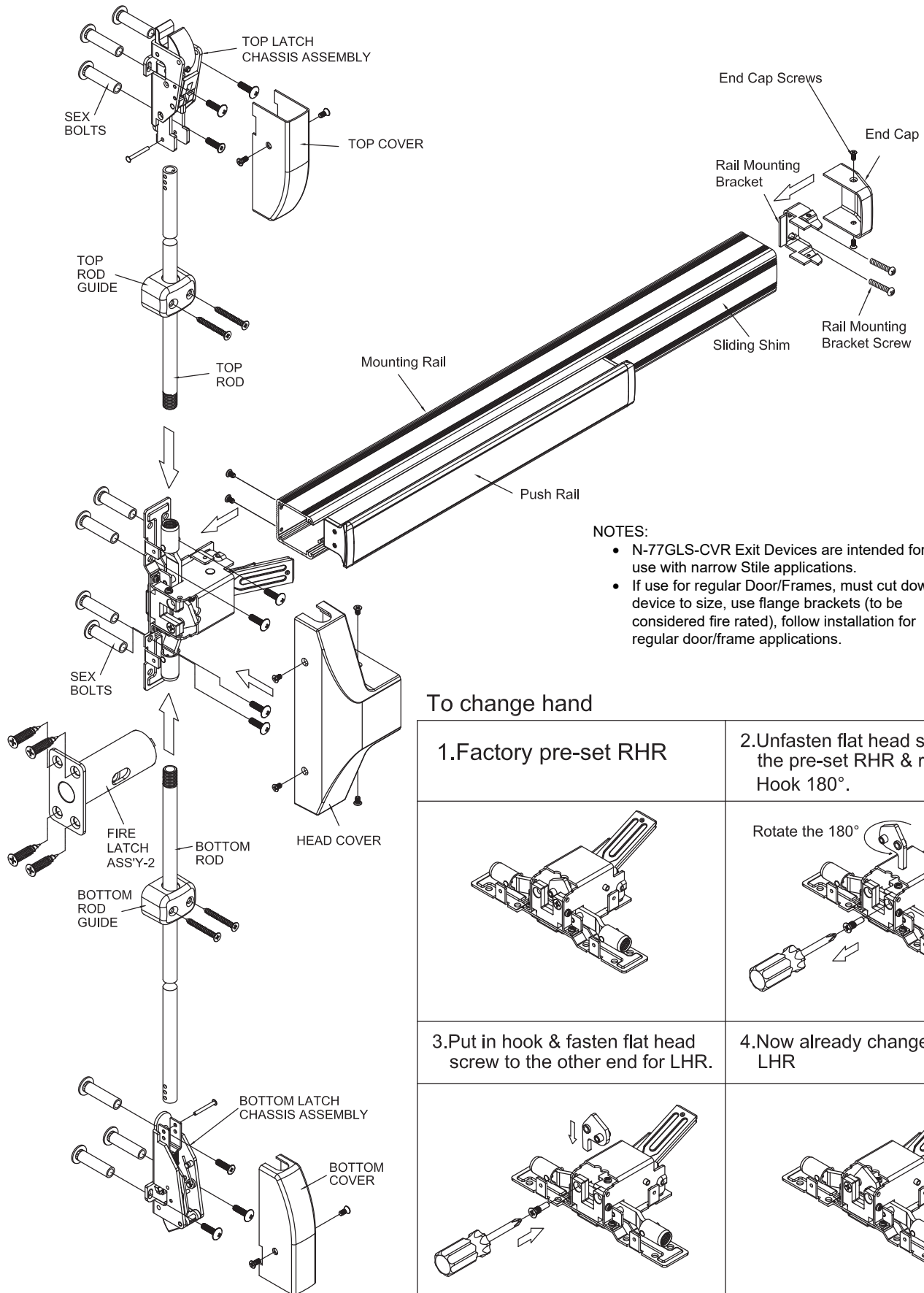




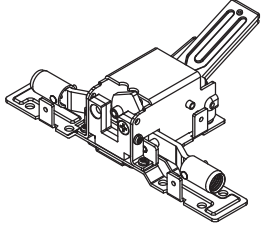
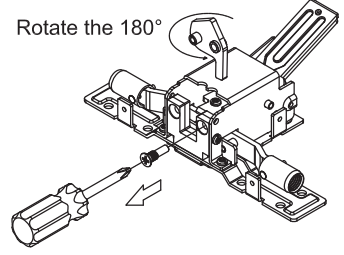
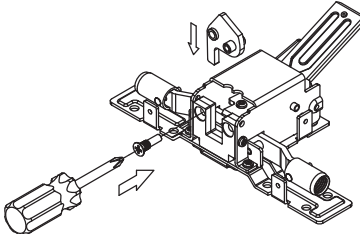
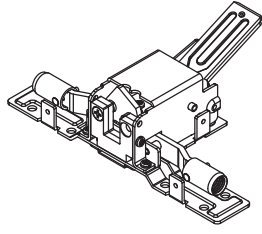
INSTALLATION INSTRUCTIONS FOR F77GLS-SVR SERIES FIRE VERTICAL ROD EXIT DEVICE



NOTES:

- N-77GLS-CVR Exit Devices are intended for use with narrow Stile applications.
- If use for regular Door/Frames, must cut down device to size, use flange brackets (to be considered fire rated), follow installation for regular door/frame applications.

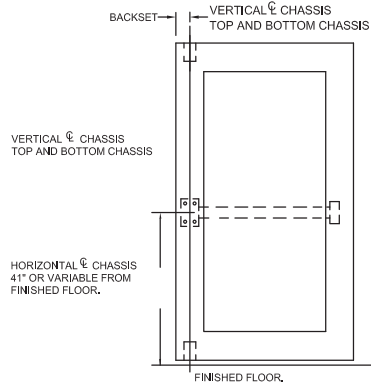
To change hand

<p>1.Factory pre-set RHR</p>	<p>2.Unfasten flat head screw form the pre-set RHR & rotate the Hook 180°.</p>
	<p>Rotate the 180°</p> 
<p>3.Put in hook & fasten flat head screw to the other end for LHR.</p>	<p>4.Now already changed to LHR</p>
	

1. MARK VERTICAL AND HORIZONTAL REFERENCE LINE ON DOOR.

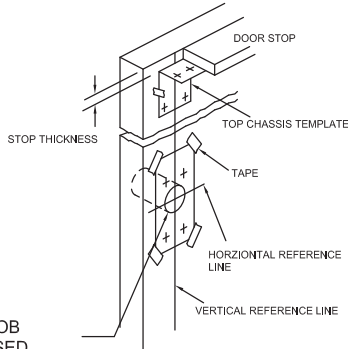
DETERMINE BACKSET TO LOCATE VERTICAL REFERENCE LINE.

1. IF LOCK STILE IS 4-1/2" WIDE OR WIDER, BACKSET IS 2-3/4".
2. IF LOCK STILE IS LESS THAN 4-1/2" WIDE, BACKSET IS HALF OF THE EXPOSED WIDTH OF LOCK STILE.



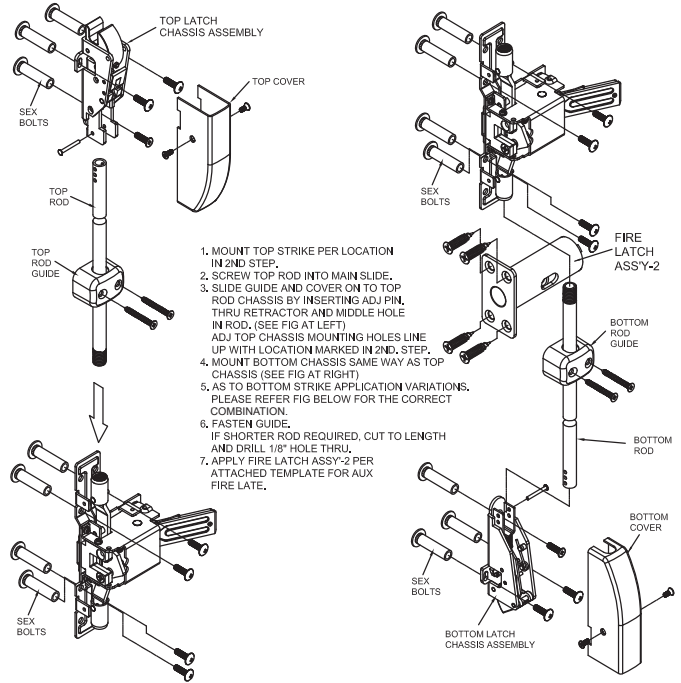
2. PREPARE DOOR

TAPE TEMPLATE ON INSIDE OF DOOR ALONG REFERENCE LINE. SPOT AND DRILL HOLE.



2-1/8" BORE WHEN KNOB AND LEVER TRIM IS USED.

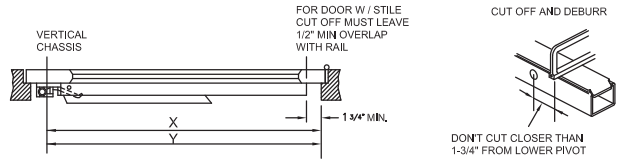
4. ATTACH TOP AND BOTTOM CHASSIS



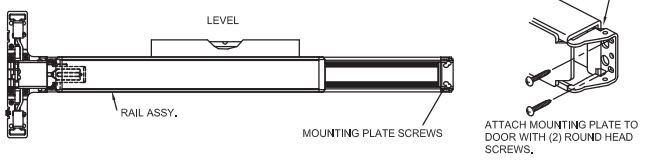
1. MOUNT TOP STRIKE PER LOCATION IN 2ND STEP.
2. SCREW TOP ROD INTO MAIN SLIDE.
3. SLIDE GUIDE AND COVER ON TO TOP ROD CHASSIS BY INSERTING ADJ PIN, THRU RETRACTOR AND MIDDLE HOLE IN ROD. (SEE FIG AT LEFT)
4. MOUNT BOTTOM CHASSIS SAME WAY AS TOP CHASSIS (SEE FIG AT RIGHT)
5. AS TO BOTTOM STRIKE APPLICATION VARIATIONS, PLEASE REFER FIG BELOW FOR THE CORRECT COMBINATION.
6. FASTEN GUIDE.
7. APPLY FIRE LATCH ASSY-2 PER ATTACHED TEMPLATE FOR AUX FIRE LATE.

5. APPLY RAIL ASSEMBLY

1. CHECK THE SIZE OF DEVICE, IF CUTTING TO LENGTH IS REQUIRED.
2. DETERMINE CUT OFF LENGTH "X" BY SUBTRACTING 1-3/4" FROM "Y". MARK CUT OFF POINT ON MOUNTING RAIL.



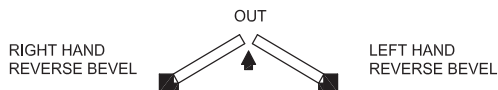
3. DEPRESS ARM INTO RAIL OPENING AND SLIDE RAIL ONTO CHASSIS. LEVEL RAIL AND FASTEN CHASSIS AND MOUNTING PLATE.



3. APPLY TRIM

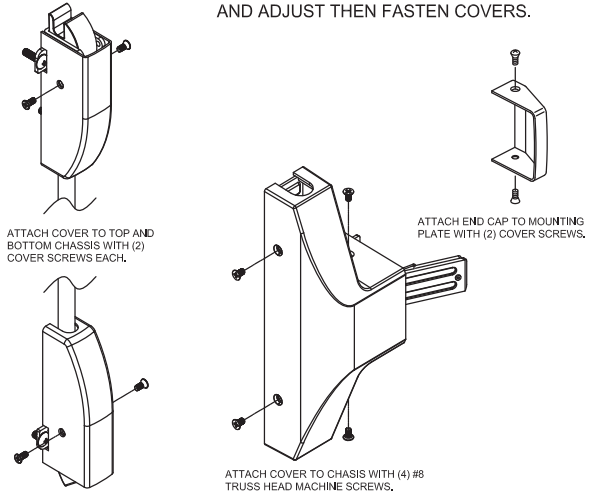
BEFORE INSTALLING DEVICE, PLEASE CHECK:

1. IF DOOR FITTED AND HUNG.
2. SIZE OF EXIT DEVICE, FUNCTION AND DESIGN...
 - 2.1. 36" DOORS, CAN BE CUT TO FIT DOORS DOWN TO 30" WIDE.
 - 2.2. 48" DOORS, CAN BE CUT TO FIT DOORS DOWN TO 36" WIDE.
- 2.3. HAND OF DEVICE AGAINST APPLICATION



6. APPLY COVER

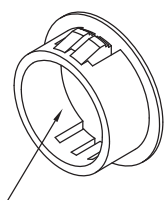
CHECK FINAL OPERATION OF DEVICE AND ADJUST THEN FASTEN COVERS.



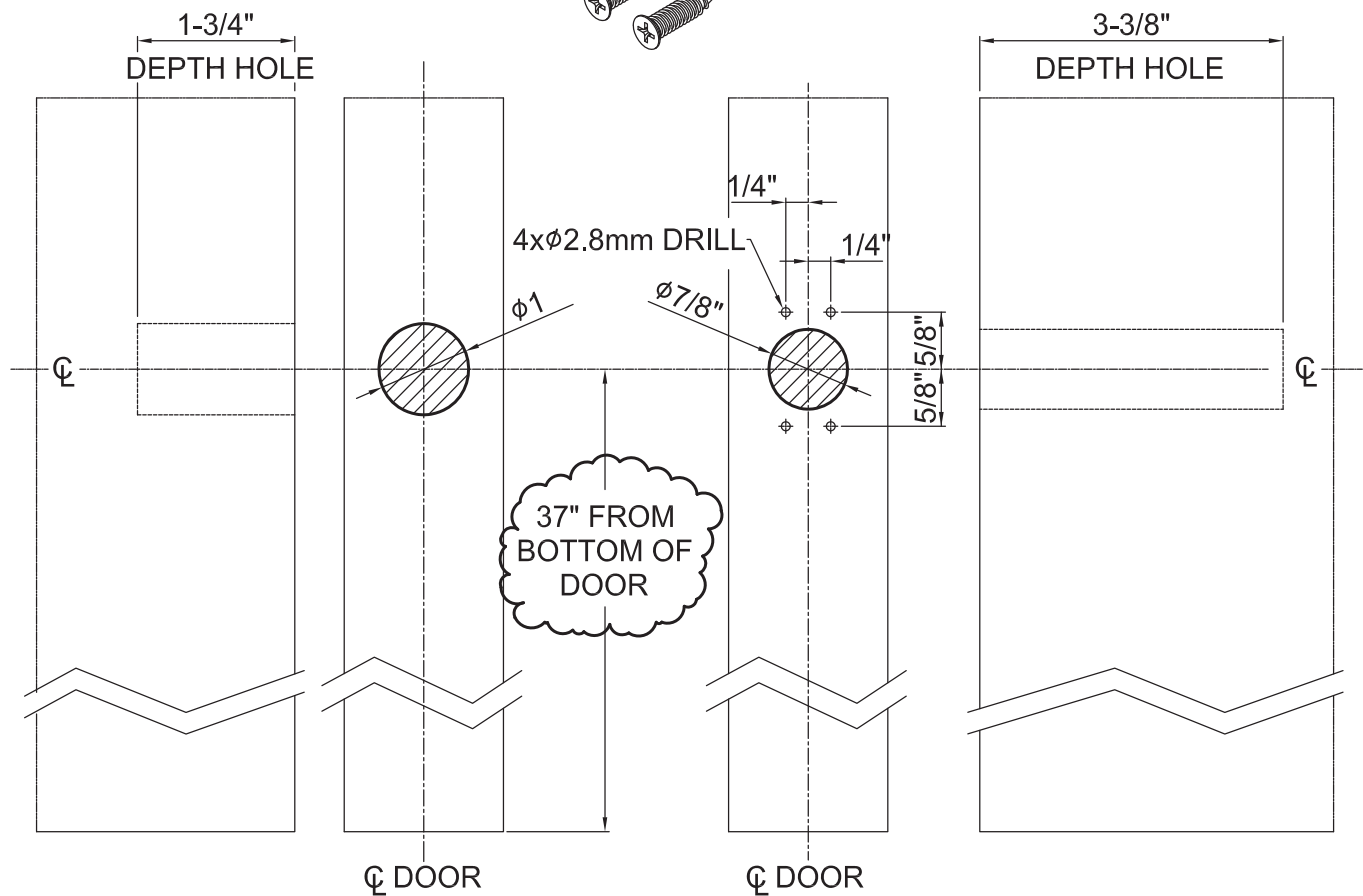
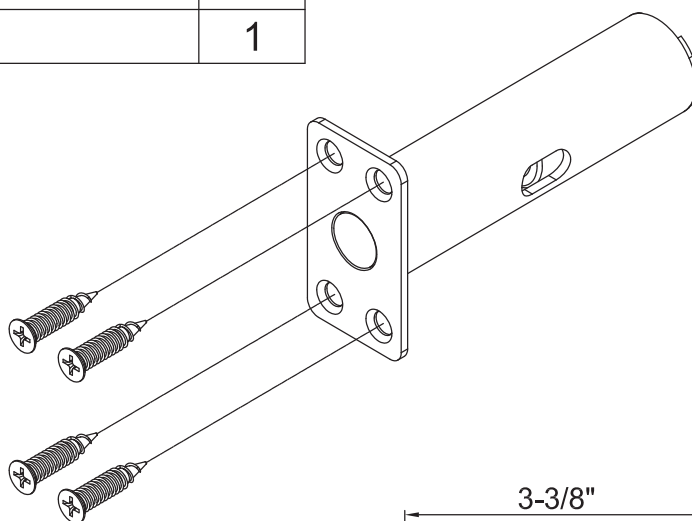
TEMPLATE

AUX FIRE LATCH ASS'Y for F77 / F98 GLS-SVR
Fire Vert Rod Device.

DESCRIPTION	QTY.
AUXILIARY FIRE LATCH ASSEMBLY	1
#6X3/4" TYPE AB FLAT HEAD SCREW	4
STRIKE HOLE PLUG	1



STRIKE HOLE PLUG



STRIKE HOLE PLUG
DOOR LEAF

AUXILIARY FIRE
LATCH ASSEMBLY
DOOR LEAF