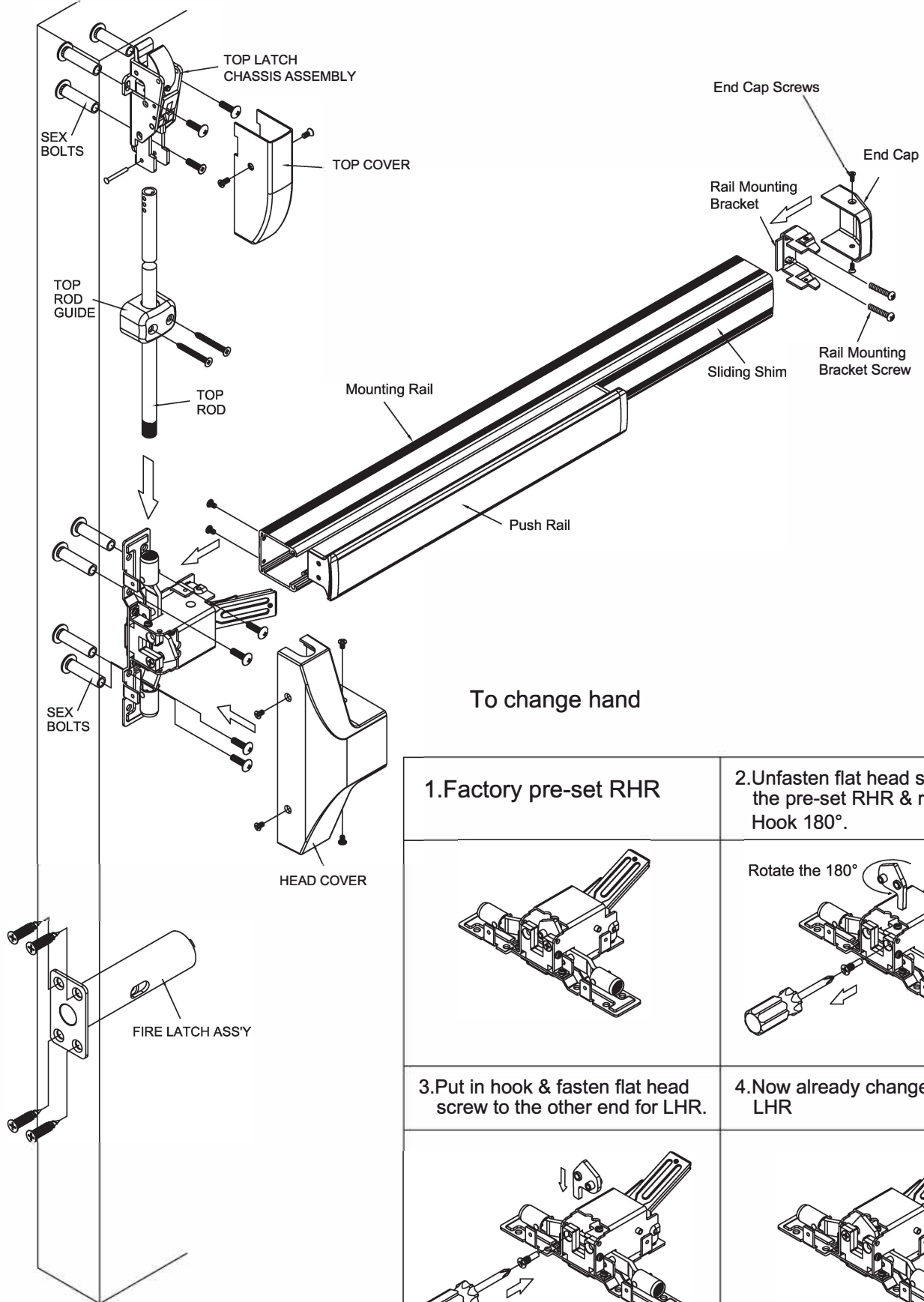
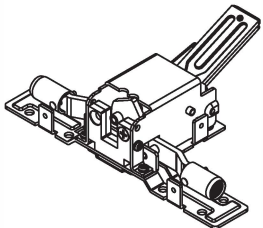
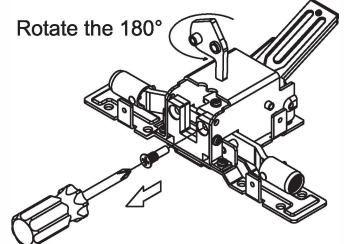
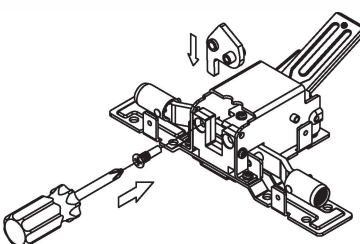
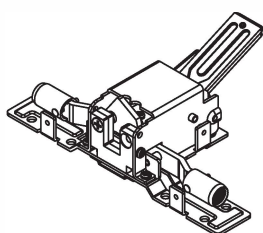


INSTALLATION INSTRUCTIONS FOR LBRF77GLS-SVR SERIES FIRE RATED VERTICAL ROD EXIT DEVICE



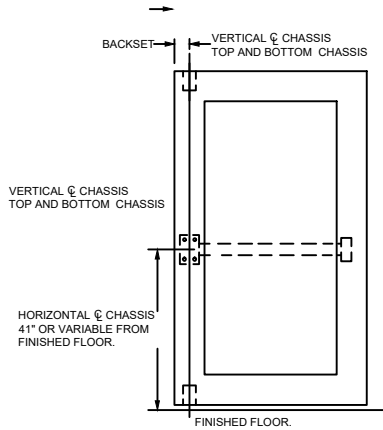
To change hand

<p>1. Factory pre-set RHR</p>	<p>2. Unfasten flat head screw from the pre-set RHR & rotate the Hook 180°.</p>
	<p>Rotate the 180°</p> 
<p>3. Put in hook & fasten flat head screw to the other end for LHR.</p>	<p>4. Now already changed to LHR</p>
	

1. MARK VERTICAL AND HORIZONTAL REFERENCE LINE ON DOOR.

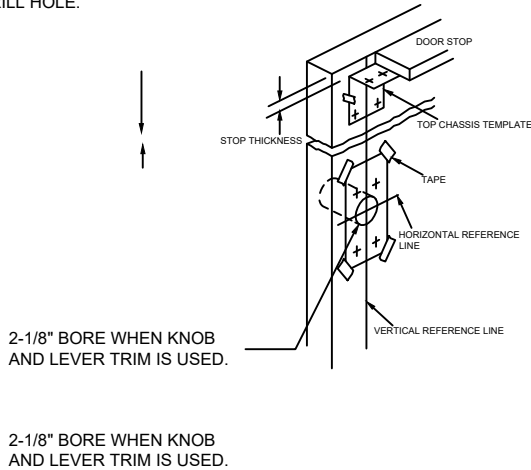
DETERMINE BACKSET TO LOCATE VERTICAL REFERENCE LINE.

- IF LOCK STILE IS 4-12" WIDE OR WIDER, BACKSET IS 2-3/4".
- IF LOCK STILE IS LESS THAN 4-1/2" WIDE, BACKSET IS HALF OF THE EXPOSED WIDTH OF LOCK STILE.



2. PREPARE DOOR

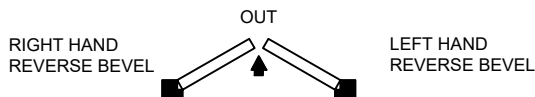
TAPE TEMPLATE ON INSIDE OF DOOR ALONG REFERENCE LINE. SPOT AND DRILL HOLE.



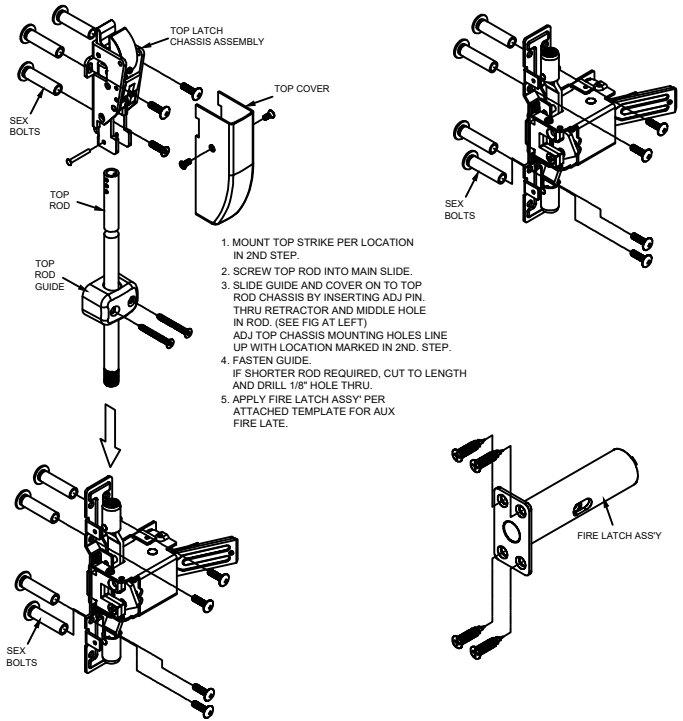
3. APPLY TRIM

BEFORE INSTALLING DEVICE, PLEASE CHECK:

- IF DOOR FITTED AND HUNG.
- SIZE OF EXIT DEVICE, FUNCTION AND DESING...
 - 36" DOORS, CAN BE CUT TO FIT DOORS DOWN TO 30" WIDE.
 - 48" DOORS, CAN BE CUT TO FIT DOORS DOWN TO 36" WIDE.
- HAND OF DEVICE AGAINST APPLICATION

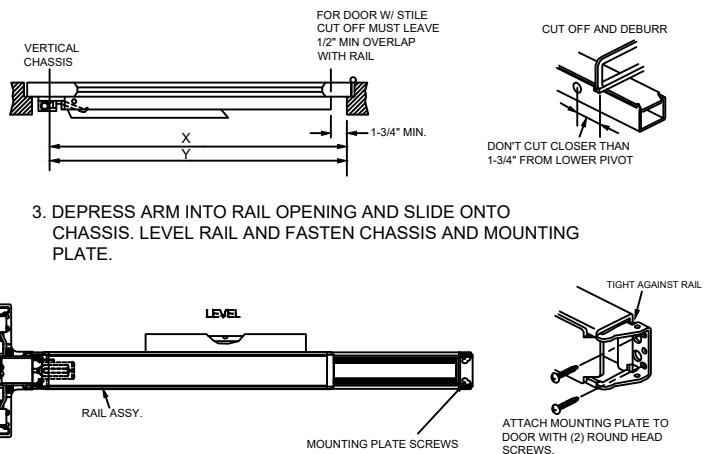


4. ATTACH TOP AND BOTTOM CHASSIS



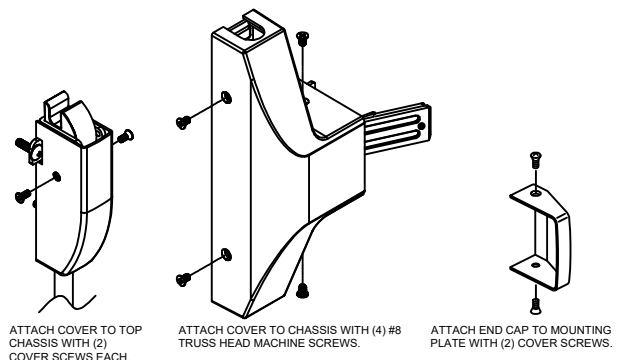
5. APPLY RAIL ASSEMBLY

- CHECK THE SIZE OF DEVICE, IF CUTTING TO LENGTH IS REQUIRED.
- DETERMINE CUT OFF LENGTH "X" BY SUBTRACTING 1-3/4" FROM "Y" MARK CUT OFF POINT ON MOUNTING RAIL.



6. APPLY COVER

CHECK FINAL OPERATION OF DEVICE AND ADJUST THEN FASTEN COVERS.



TEMPLATE

AUX FIRE LATCH ASS'Y for LBR77GLS-SVR & LBRF98GLS-SVR

Fire Vertical Rod Device Less Bottom Rod.

DESCRIPTION	QTY.
AUXILIARY FIRE LATCH ASSEMBLY-1	1
#6X3/4" TYPE AB FLAT HEAD SCREW	4
STRIKE HOLE PLUG	1

