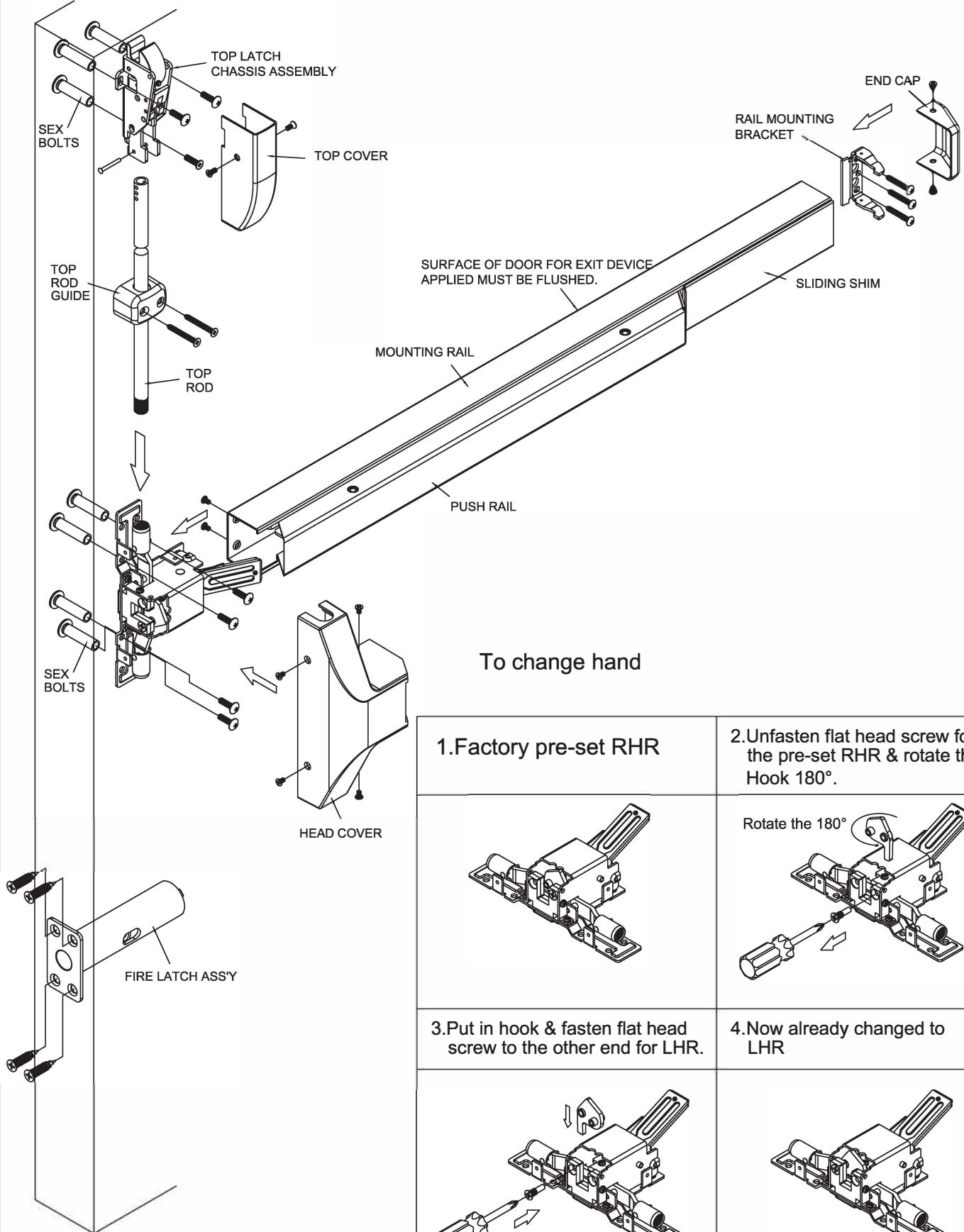
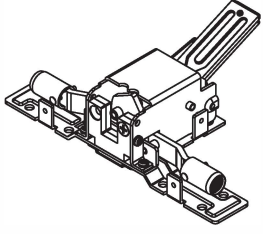
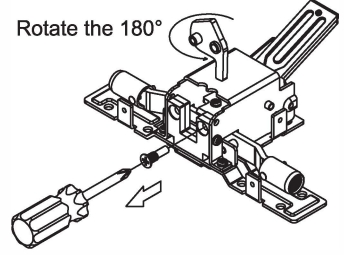
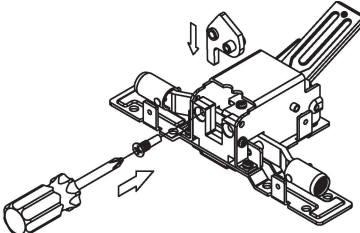
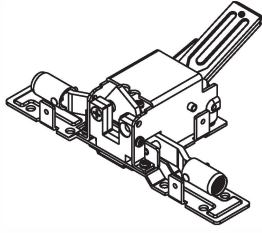




# INSTALLATION INSTRUCTIONS FOR LBRF98GLS-SVR SERIES FIRE RATED VERTICAL ROD EXIT DEVICE



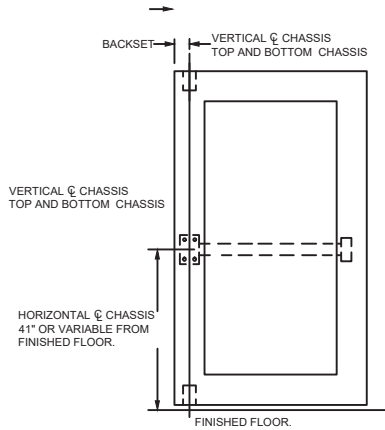
## To change hand

<p>1. Factory pre-set RHR</p>	<p>2. Unfasten flat head screw from the pre-set RHR &amp; rotate the Hook 180°.</p>
	<p>Rotate the 180°</p> 
<p>3. Put in hook &amp; fasten flat head screw to the other end for LHR.</p>	<p>4. Now already changed to LHR</p>
	

# 1. MARK VERTICAL AND HORIZONTAL REFERENCE LINE ON DOOR.

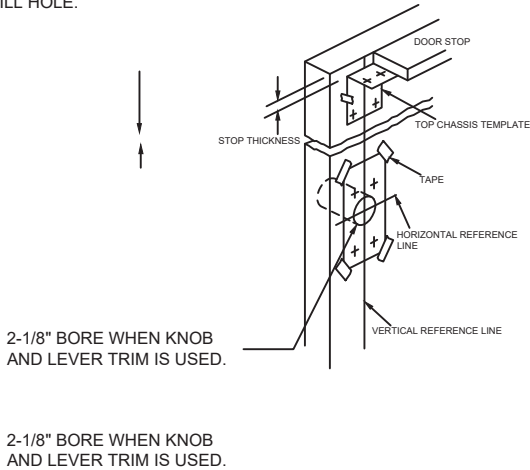
DETERMINE BACKSET TO LOCATE VERTICAL REFERENCE LINE.

- IF LOCK STILE IS 4-12" WIDE OR WIDER, BACKSET IS 2-3/4".
- IF LOCK STILE IS LESS THAN 4-1/2" WIDE, BACKSET IS HALF OF THE EXPOSED WIDTH OF LOCK STILE.



# 2. PREPARE DOOR

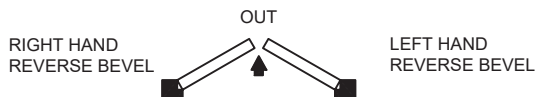
TAPE TEMPLATE ON INSIDE OF DOOR ALONG REFERENCE LINE. SPOT AND DRILL HOLE.



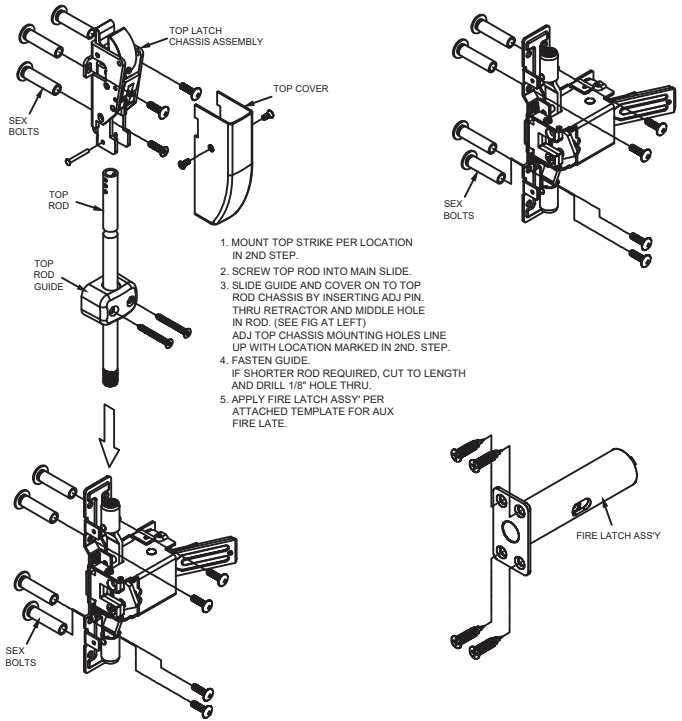
# 3. APPLY TRIM

BEFORE INSTALLING DEVICE, PLEASE CHECK:

- IF DOOR FITTED AND HUNG.
- SIZE OF EXIT DEVICE, FUNCTION AND DESING...
  - 36" DOORS, CAN BE CUT TO FIT DOORS DOWN TO 30" WIDE.
  - 48" DOORS, CAN BE CUT TO FIT DOORS DOWN TO 36" WIDE.
- HAND OF DEVICE AGAINST APPLICATION

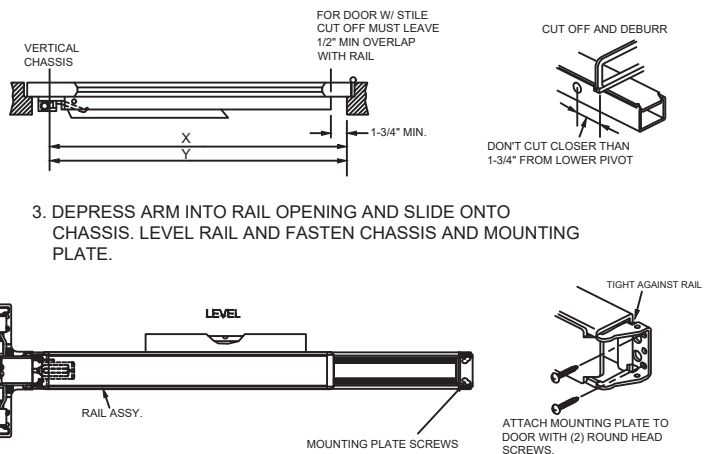


# 4. ATTACH TOP AND BOTTOM CHASSIS



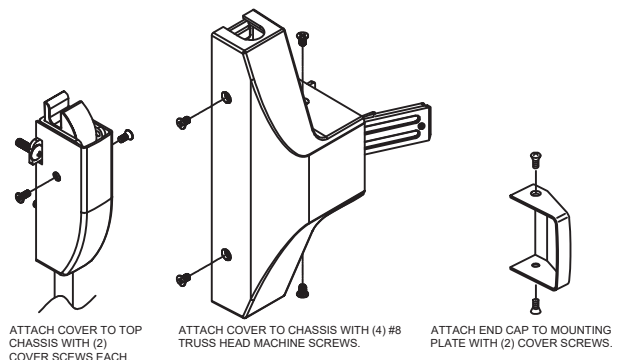
# 5. APPLY RAIL ASSEMBLY

- CHECK THE SIZE OF DEVICE, IF CUTTING TO LENGTH IS REQUIRED.
- DETERMINE CUT OFF LENGTH "X" BY SUBTRACTING 1-3/4" FROM "Y" MARK CUT OFF POINT ON MOUNTING RAIL.



# 6. APPLY COVER

CHECK FINAL OPERATION OF DEVICE AND ADJUST THEN FASTEN COVERS.



# TEMPLATE

## AUX FIRE LATCH ASS'Y for LBR77GLS-SVR & LBRF98GLS-SVR

Fire Vertical Rod Device Less Bottom Rod.

DESCRIPTION	QTY.
AUXILIARY FIRE LATCH ASSEMBLY-1	1
#6X3/4" TYPE AB FLAT HEAD SCREW	4
STRIKE HOLE PLUG	1

