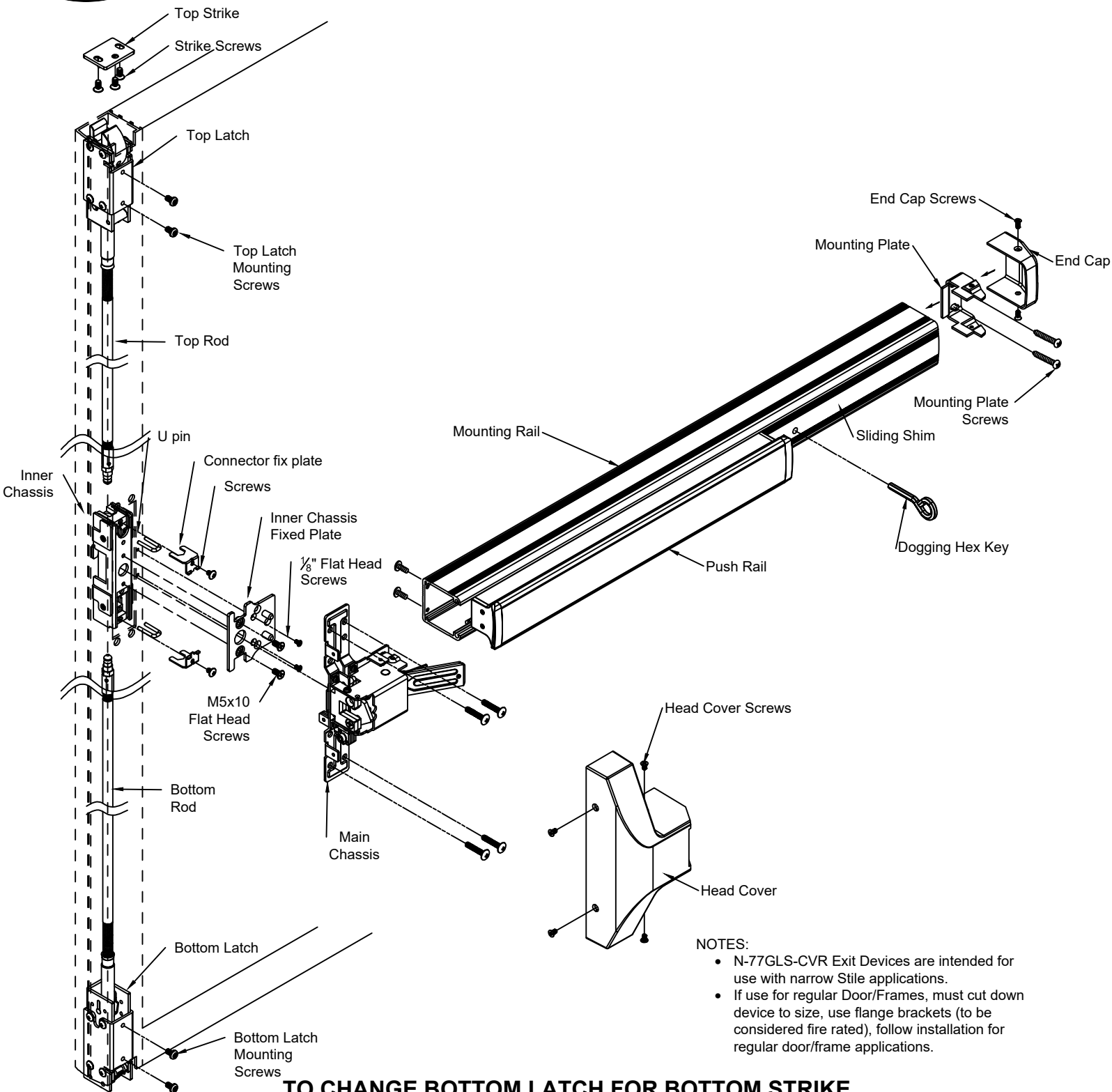


INSTALLATION INSTRUCTIONS

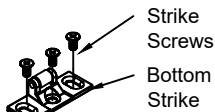
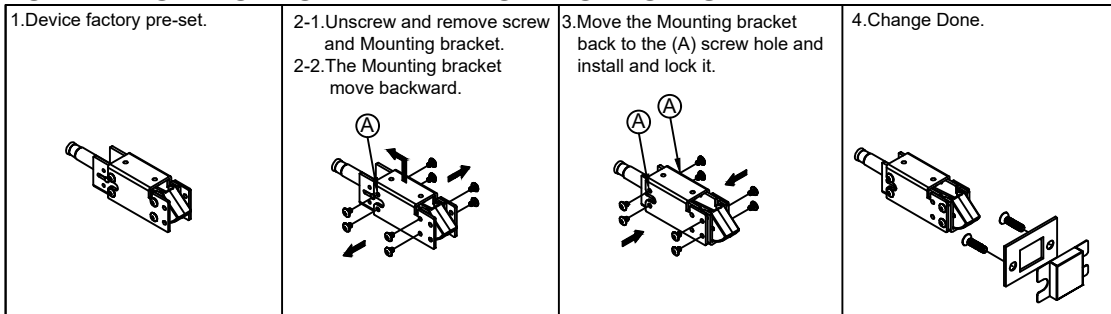
N-77GLS-CVR NARROW HEAD CONCEALED VERTICAL ROD EXIT DEVICE FOR 2" NARROW STILE



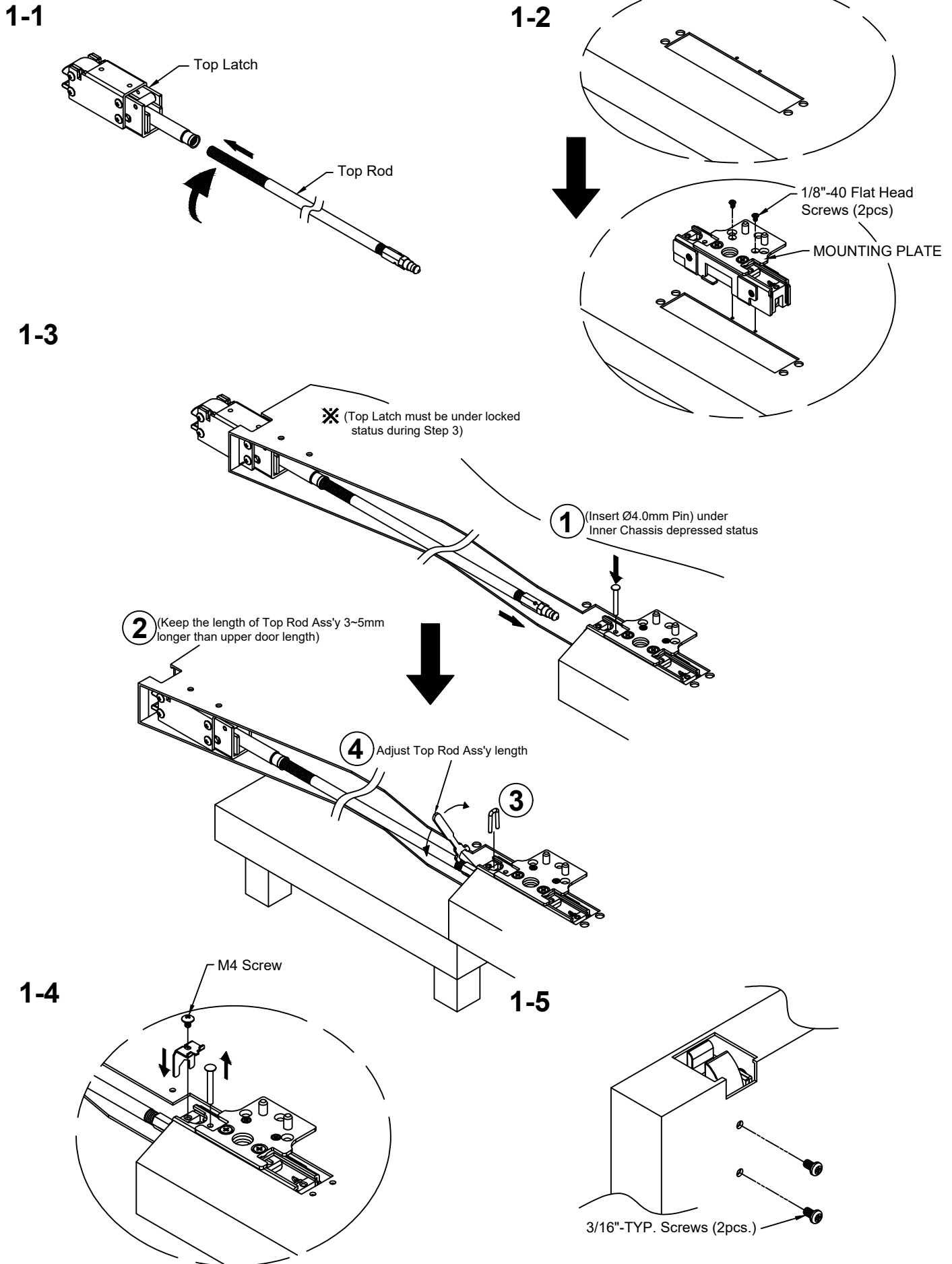
NOTES:

- N-77GLS-CVR Exit Devices are intended for use with narrow Stile applications.
- If use for regular Door/Frames, must cut down device to size, use flange brackets (to be considered fire rated), follow installation for regular door/frame applications.

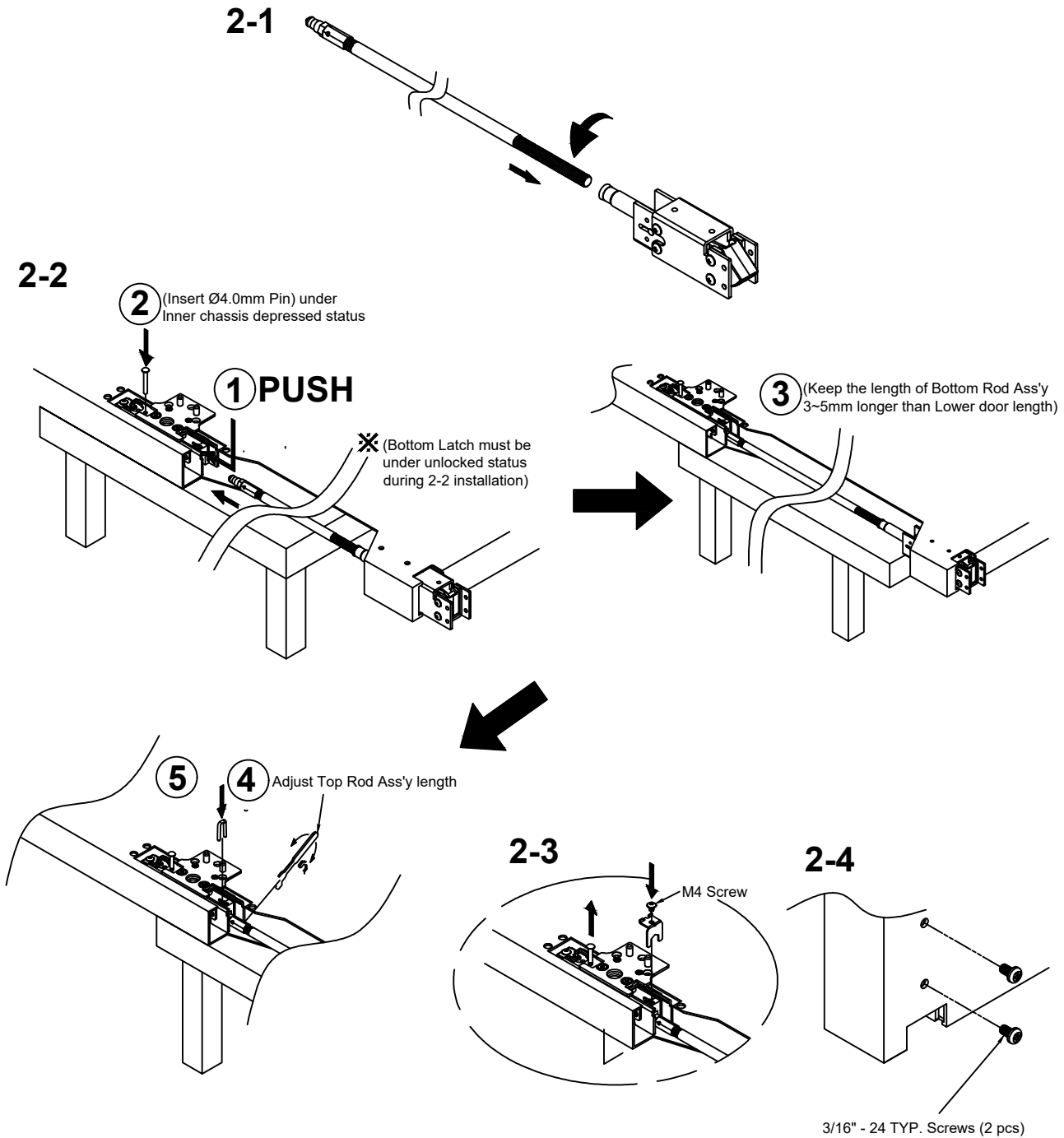
TO CHANGE BOTTOM LATCH FOR BOTTOM STRIKE



1. INSTALL INNER CHASSIS & TOP LATCH

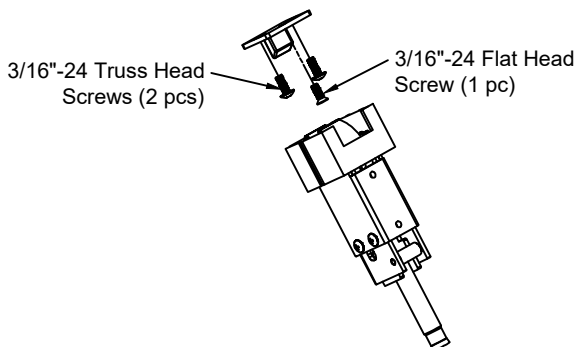


2. INSTALL BOTTOM LATCH (Skip this step if less Bottom Rod)

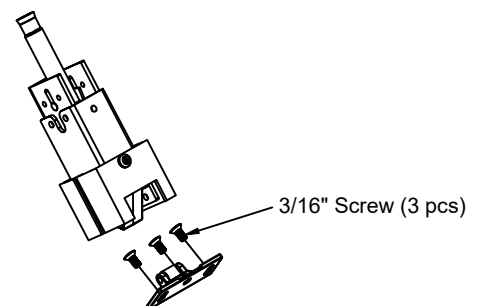


3. INSTALL TOP 7 BOTTOM STRIKE (Please Follow TEMPLATE)

3-1 Top Strike

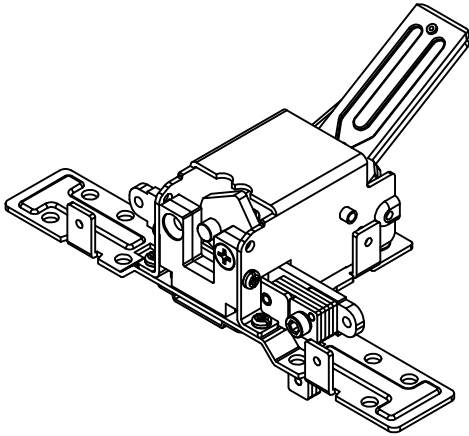


3-2 Bottom Strike

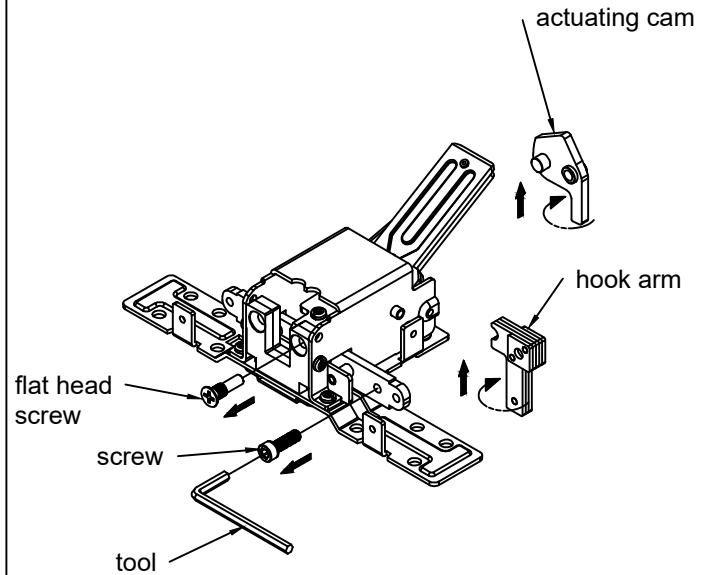


TO CHANGE HAND OF N-77GLS-CVR VERTICAL ROD EXIT DEVICE

1. LHR

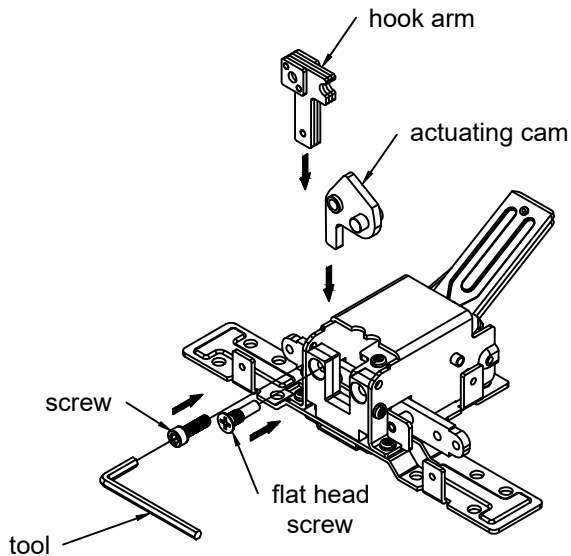


- 2-1. Loosen the screw & flat head screw to exit.
- 2-2. Remove actuating cam & hook arm.
- 2-2. Rotate 180° actuating cam & hook arm.



3-1. Reassemble actuating cam & hook cam at opposite side, as shown.

3-2. The locking screw



4. RHR Done.

