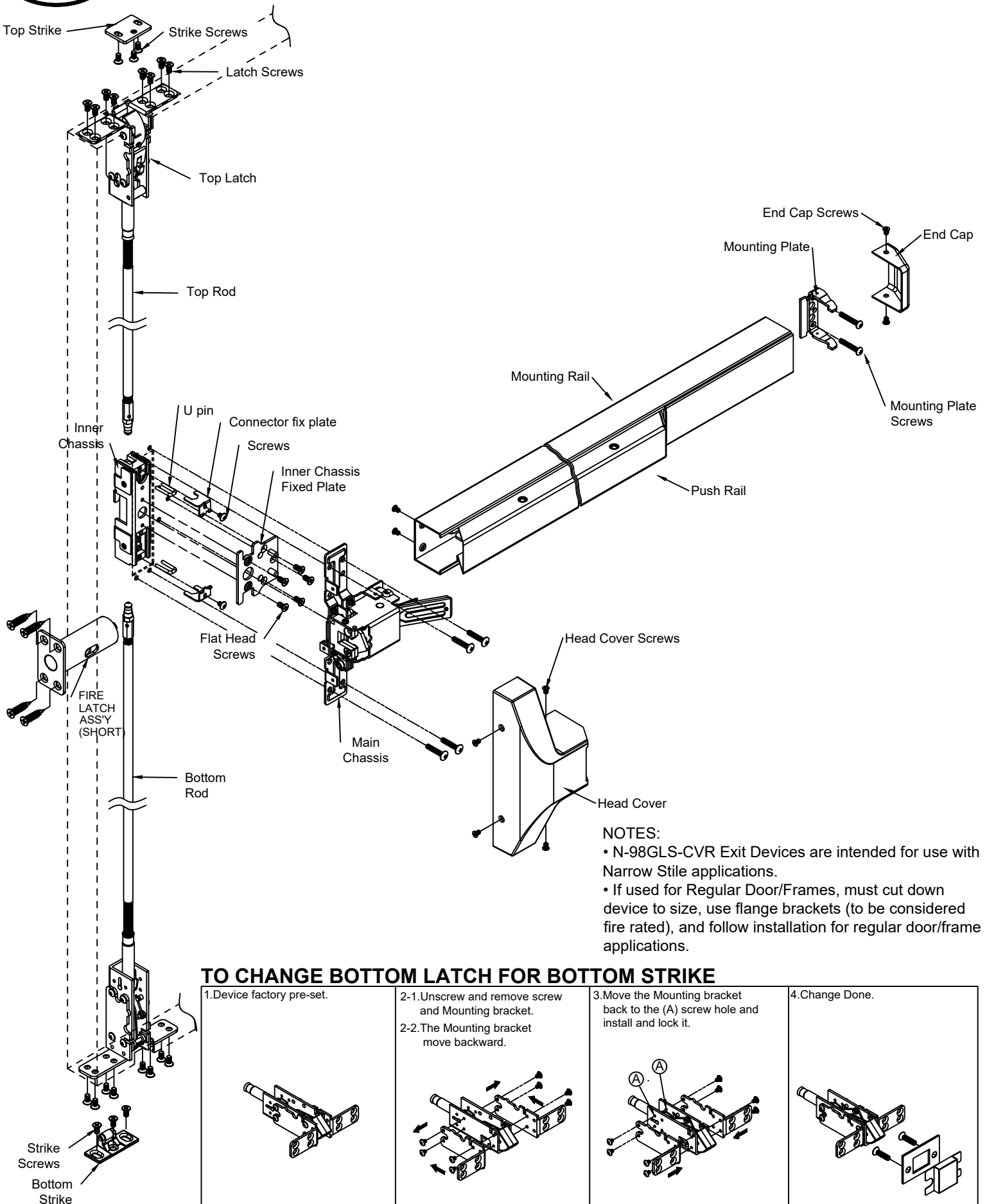
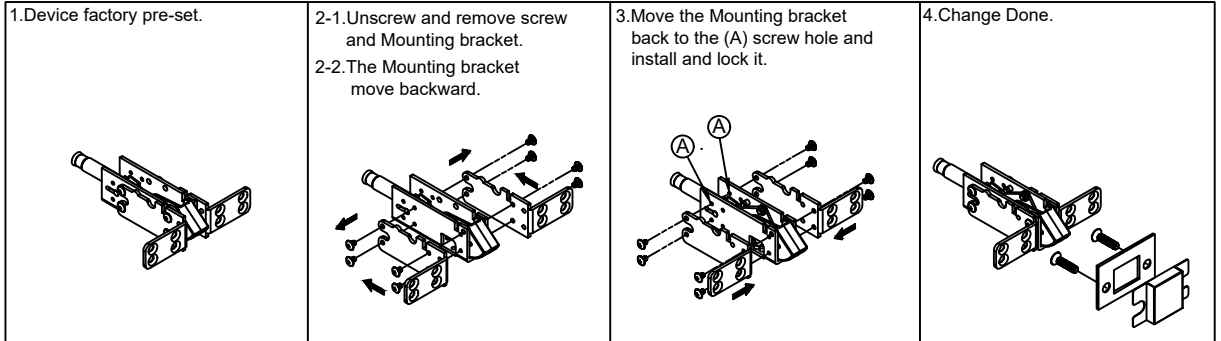


INSTALLATION INSTRUCTIONS N-F98GLS-CVR NARROW HEAD CONCEALED VERTICAL ROD EXIT DEVICE



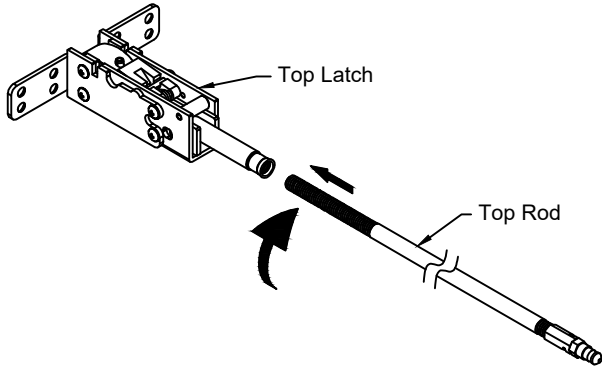
- NOTES:**
- N-98GLS-CVR Exit Devices are intended for use with Narrow Stile applications.
 - If used for Regular Door/Frames, must cut down device to size, use flange brackets (to be considered fire rated), and follow installation for regular door/frame applications.

TO CHANGE BOTTOM LATCH FOR BOTTOM STRIKE

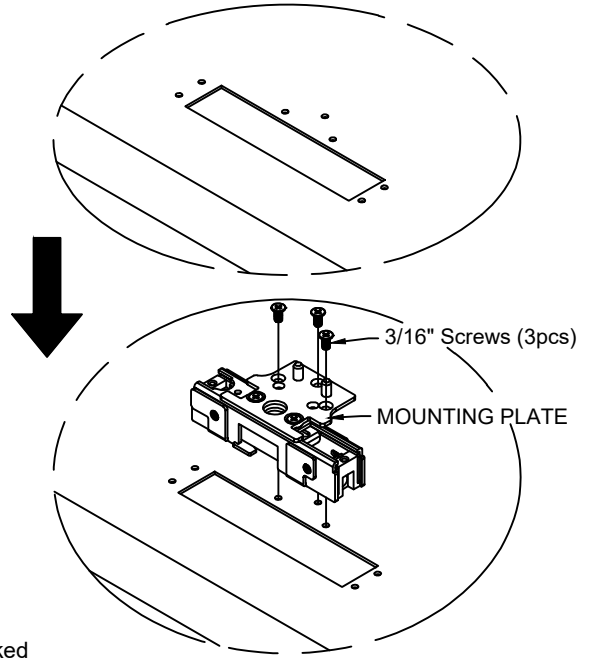


1. INSTALL INNER CHASSIS & TOP LATCH

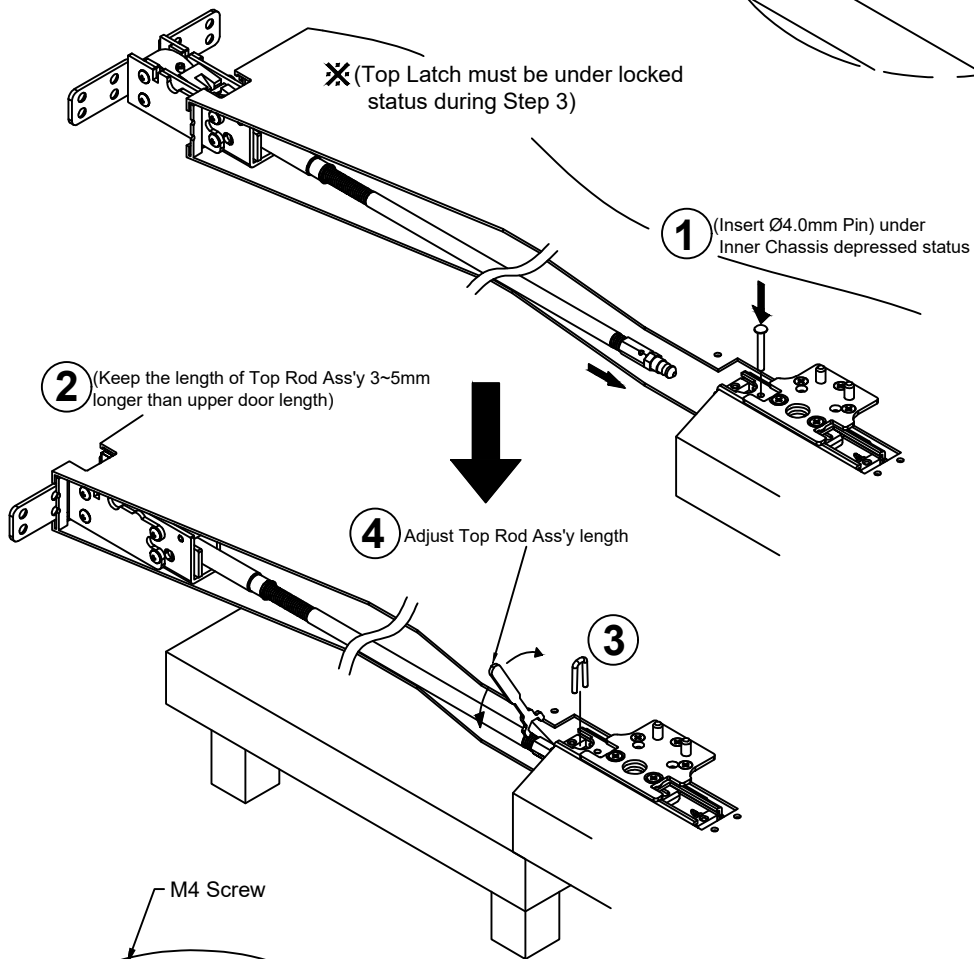
1-1



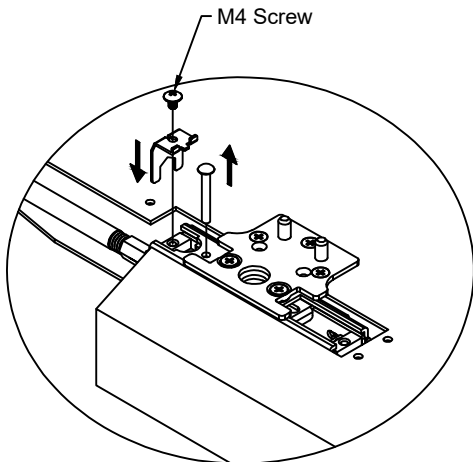
1-2



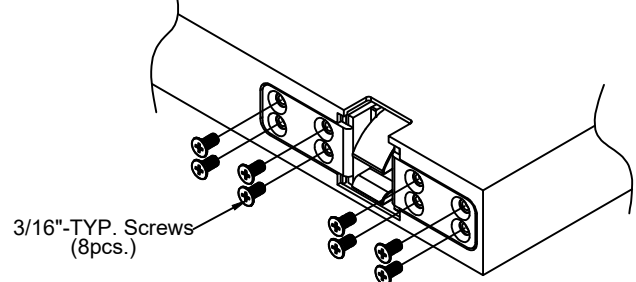
1-3



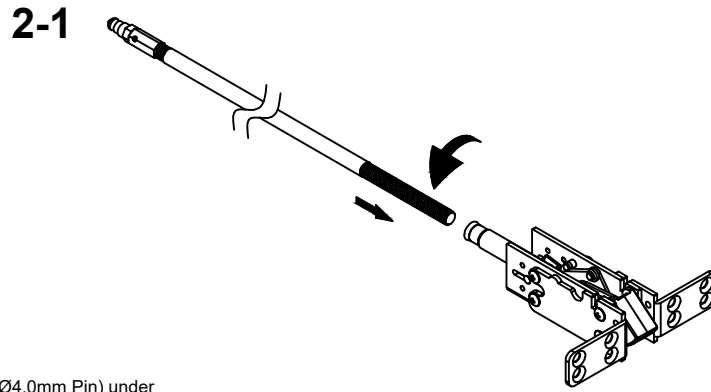
1-4



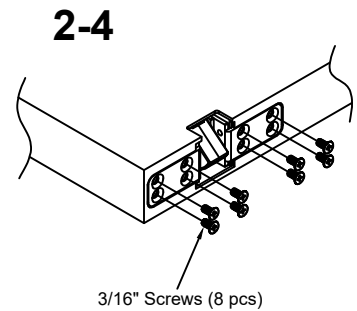
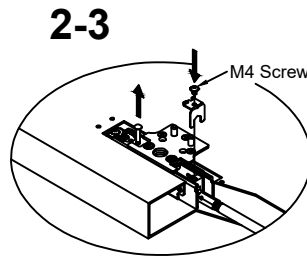
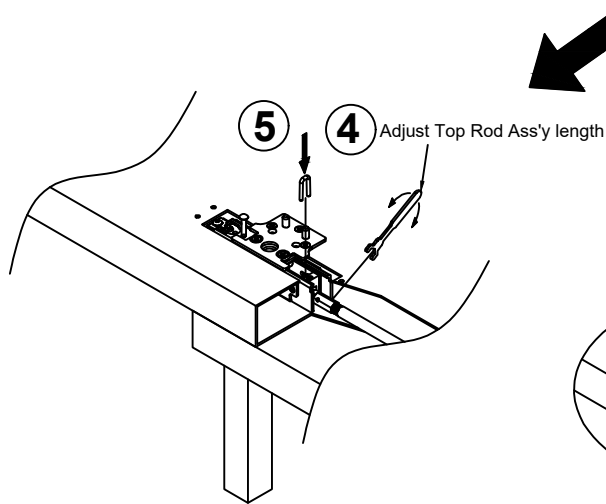
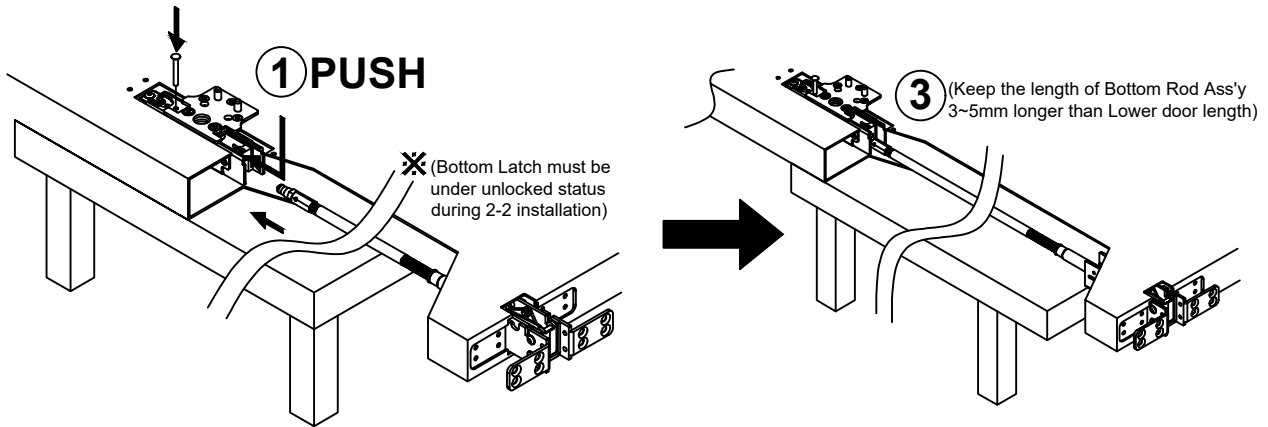
1-5



2. INSTALL BOTTOM LATCH (Skip this step if less Bottom Rod)

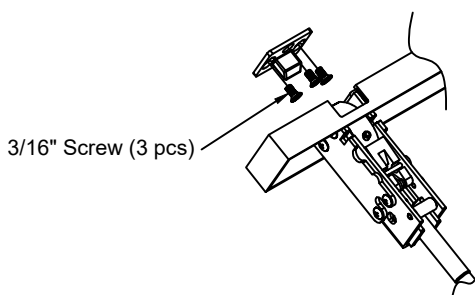


2-2 (2) (Insert Ø4.0mm Pin) under Inner chassis depressed status

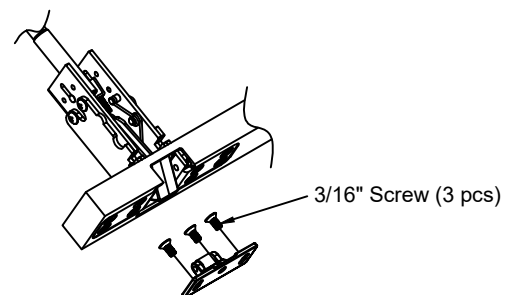


3. INSTALL TOP 7 BOTTOM STRIKE (Please Follow TEMPLATE)

3-1 Top Strike

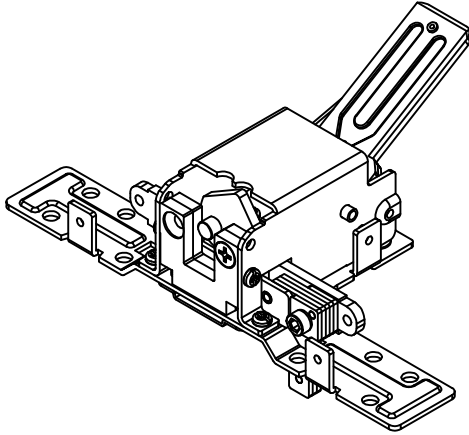


3-2 Bottom Strike

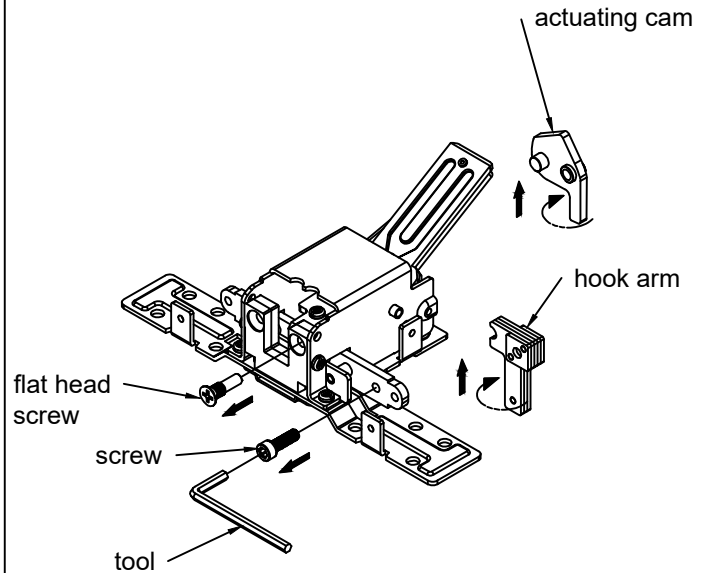


TO CHANGE HAND OF N-F98GLS-CVR NARROW HEAD VERTICAL ROD EXIT DEVICE

1. LHR

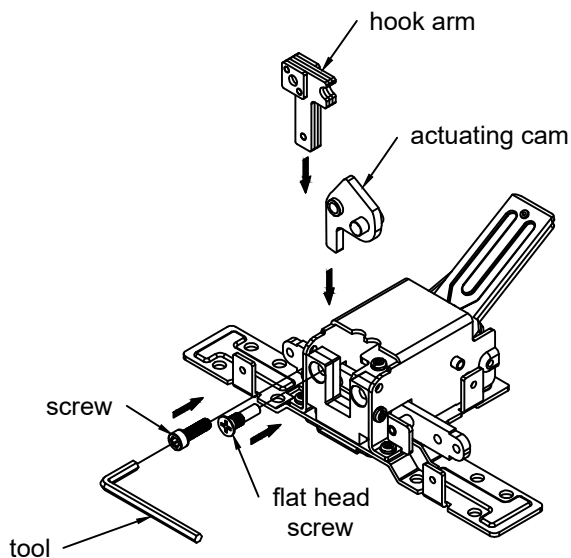


- 2-1. Loose the screw & flat head screw to exit.
- 2-2. Remove actuating cam & hook arm.
- 2-2. Rotate 180° actuating cam & hook arm.



3-1. Reassemble actuating cam & hook cam at opposite side, as shown.

3-2. The locking screw



4. RHR Done.

