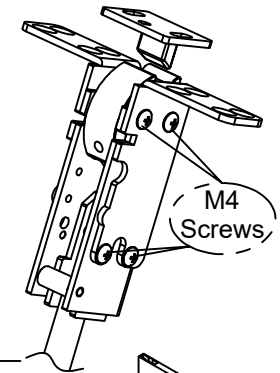
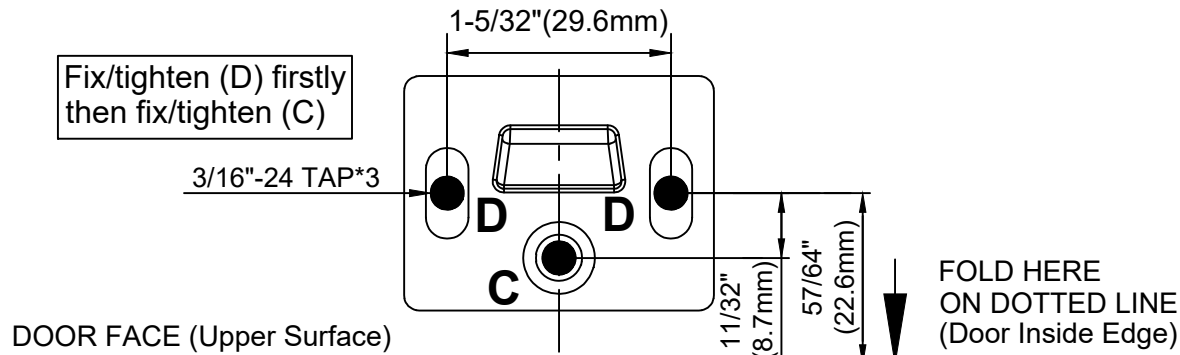
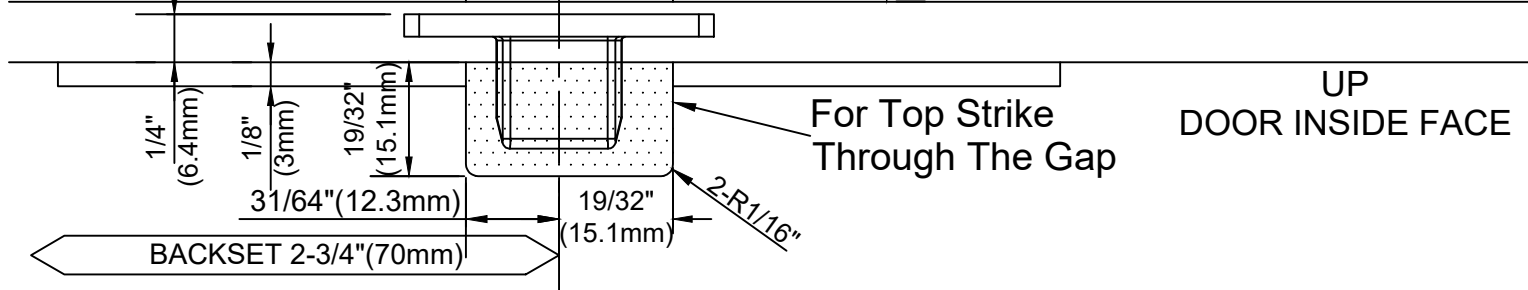
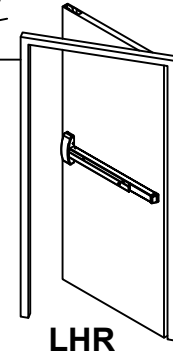
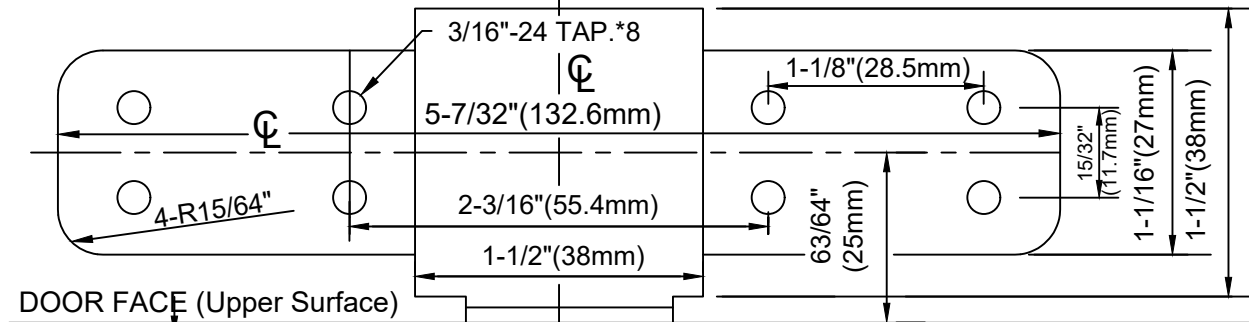


TEMPLATE of Top Latch [Top Strike (regular use)]



TEMPLATE of Top Latch Housing Ass'y [Top Mounting Plate (regular use)]



The illustration and technical description in this cut sheet is current as of the date in version date on the right. Cal-Royal Product reserves the right to, and may, on occasions, make changes and/or improvements in designs and dimensions without prior notice.



6605 Flotilla Street
City of Commerce
CA 90040 USA
Tel:# (323) 888-6601
FAX: # (323) 888-6699
WEB SITE:
CAL-ROYAL.COM
Email: sales@cal-royal.com

ITEM NO.	DESCRIPTION :
N-260	TEMPLATE OF TOP STRIKE TO A REGULAR BACK SET FOR N-77GLS-CVR/ N-98GLS-CVR NARROW HEAD

NOT TO SCALE
PAGE 1 OF 2

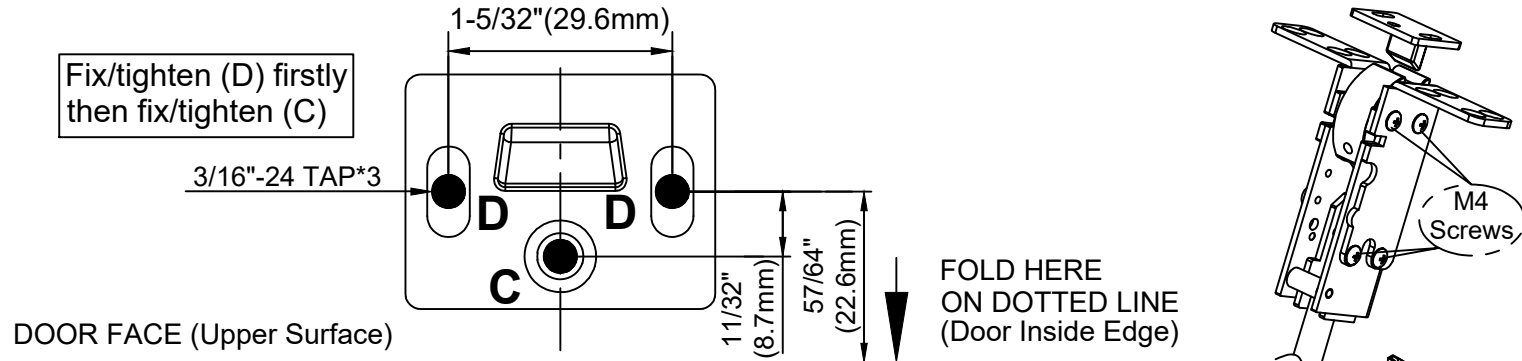
UNIT
PRIMARY DIMENSION SHOWN IN INCHES, DIMENSIONS IN () ARE MM

Prepared By: BBT / ADG AED / CVL

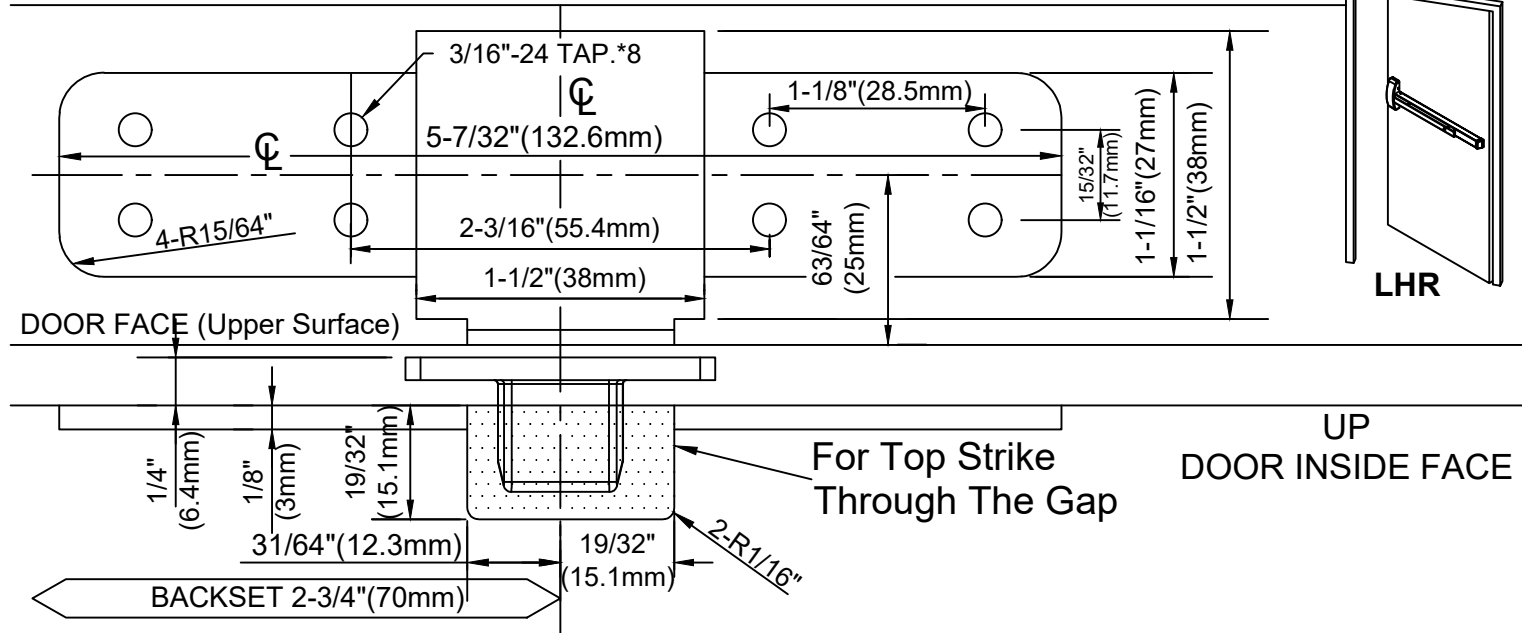
DATE: 08/08/2023

DWG. NO. EDT-4083-08/23-1of2
REV

TEMPLATE of Top Latch [Top Strike (regular use)]



TEMPLATE of Top Latch Housing Ass'y [Top Mounting Plate (regular use)]



The illustration and technical description in this cut sheet is current as of the date in version date on the right. Cal-Royal Product reserves the right to, and may, on occasions, make changes and/or improvements in designs and dimensions without prior notice.

<p>6605 Flotilla Street City of Commerce CA 90040 USA Tel.# (323) 888-6601 FAX # (323) 888-6699 WEB SITE: CAL-ROYAL.COM Email: sales@cal-royal.com</p>	ITEM NO.	DESCRIPTION :	NOT TO SCALE	UNIT	Prepared By:	DATE	DWG. NO.
	N-260	TEMPLATE OF TOP STRIKE TO A REGULAR BACK SET FOR N-77GLS-CVR/ N-98GLS-CVR NARROW HEAD	PAGE 2 OF 2	PRIMARY DIMENSION SHOWN IN INCHES, DIMENSIONS IN () ARE MM	BBT / ADG AED / CVL	08/08/2023	EDT-4083-08/23-2of2
							REV